



▶ CUSTOMER SUPPORT

800.963.4458
sales@wmwmeyer.com
www.meyerindustrial.com
1700 Franklin Blvd
Libertyville, IL 60048

▶ FOLLOW US

LinkedIn *Wm. W. Meyer & Sons, Inc.*
YouTube *MeyerAndSons*
Facebook *@meyerincorporate*
Twitter *@wmwmeyer*

W.E.A.R. UNIT

WEAR ISSUES HINDERING YOUR PERFORMANCE?

ADVANTAGES



W.E.A.R. UNIT (WEAR ELIMINATION & ABRASION REDUCTION UNIT)

Are you wondering why your rotary airlock valve has wear issues? Maybe your rotary airlock valve was not engineered specifically for your pneumatic conveying application. We all know manufacturing is about precision, so why would you buy processing equipment that was not matched to your manufacturing process? Seventy years has taught us a thing or two about engineering products to match specific applications. One solution we offer is our W.E.A.R. Unit. Wm. W. Meyer & Sons W.E.A.R. Unit is unique and protects your rotary airlock valve from wear and shortened life expectancy by injecting clean air between the headplate and the closed end rotor. The W.E.A.R. Unit is effective in reducing failure, product loss, eliminating housekeeping issues, reducing wear and equipment downtime in today's demanding industrial processing plants. The W.E.A.R. System provides a solution to today's surging wear issues across several manufacturing industries.



COST SAVINGS

Save money by eliminating common abrasive wear issues, maintenance costs, and headplate damage by using clean air in a pneumatic conveying line.



DURABILITY

Designed to work in some of the most rigorous and hostile environments in the asphalt, cement, mining, and other highly abrasive manufacturing industries.



PREVENT DOWNTIME

Preventing unexpected downtime has never been easier by ensuring your pneumatic conveying line helps clean the build-up that creates severe wear spots.



EXTENDED LIFE

Safeguarding your rotary airlock valve from the daily beating of abrasive materials will extend the life of your valve and save you on replacement costs.



PROTECTION AGAINST WEAR

Fight against valve wear by protecting your headplates from abrasive and damaging powders, slurries and bulk materials.



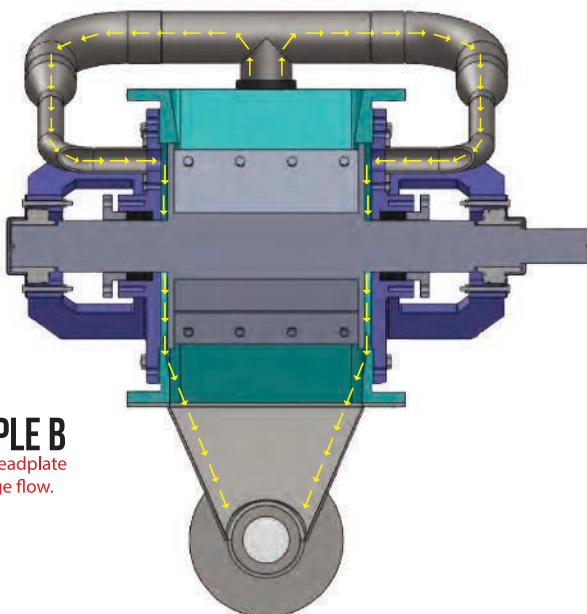
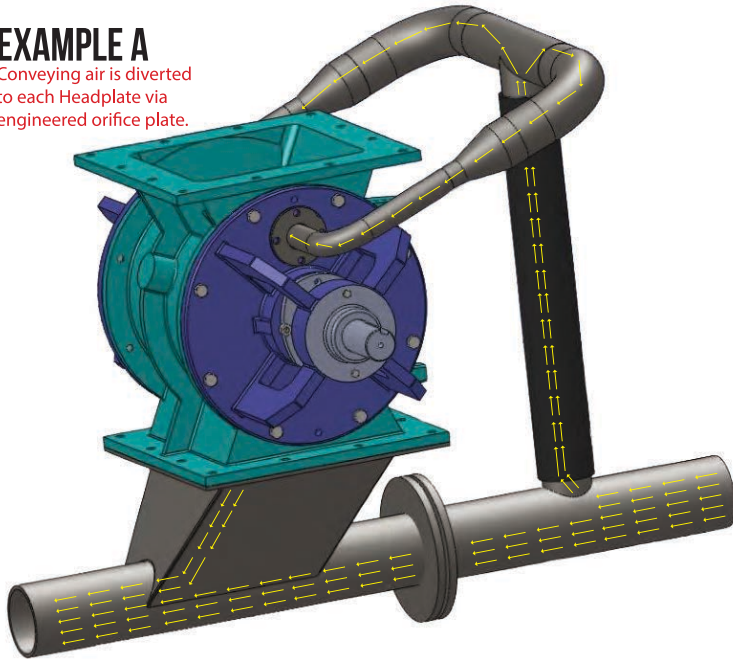
REDUCE PRODUCT LOSS

Reduce product loss by preventing leakage from seals and bearings while seeing an increase in your production rate per hour.

WEAR ELIMINATION & ABRASION REDUCTION UNIT

EXAMPLE A

Conveying air is diverted to each Headplate via engineered orifice plate.



EXAMPLE B

Diverted headplate cavity purge flow.

The Meyer **W.E.A.R. Unit** (Wear Elimination & Abrasion Reduction) provides the ultimate package for your abrasive and material build up applications. The valve internals are coated with a wide variety of wear resistant coatings specifically matched for the materials being conveyed. Housing coatings options include Heavy Chrome, Diamond Chrome, Ceramic and Chrome Carbide along with all White Iron cast designs.

The rotor is a closed end type and typically hard faced on all tip contact areas with Stellite and precision ground. The shaft packing area is purged through a lantern ring design for optimal life.

The key combination in the product is the end plate purging into the cavity between the closed end rotor shroud and the headplate interior. Conveying air is diverted to each headplate cavity via an engineered orifice plate (Example A). First this keeps product from the headplate area and secondly clears material from the closed end shroud area. Both provide a valve life superior to any other design.

The air is not lost in any way by being re-introduced through the bottom shroud area (Example B) and back into the conveying system.