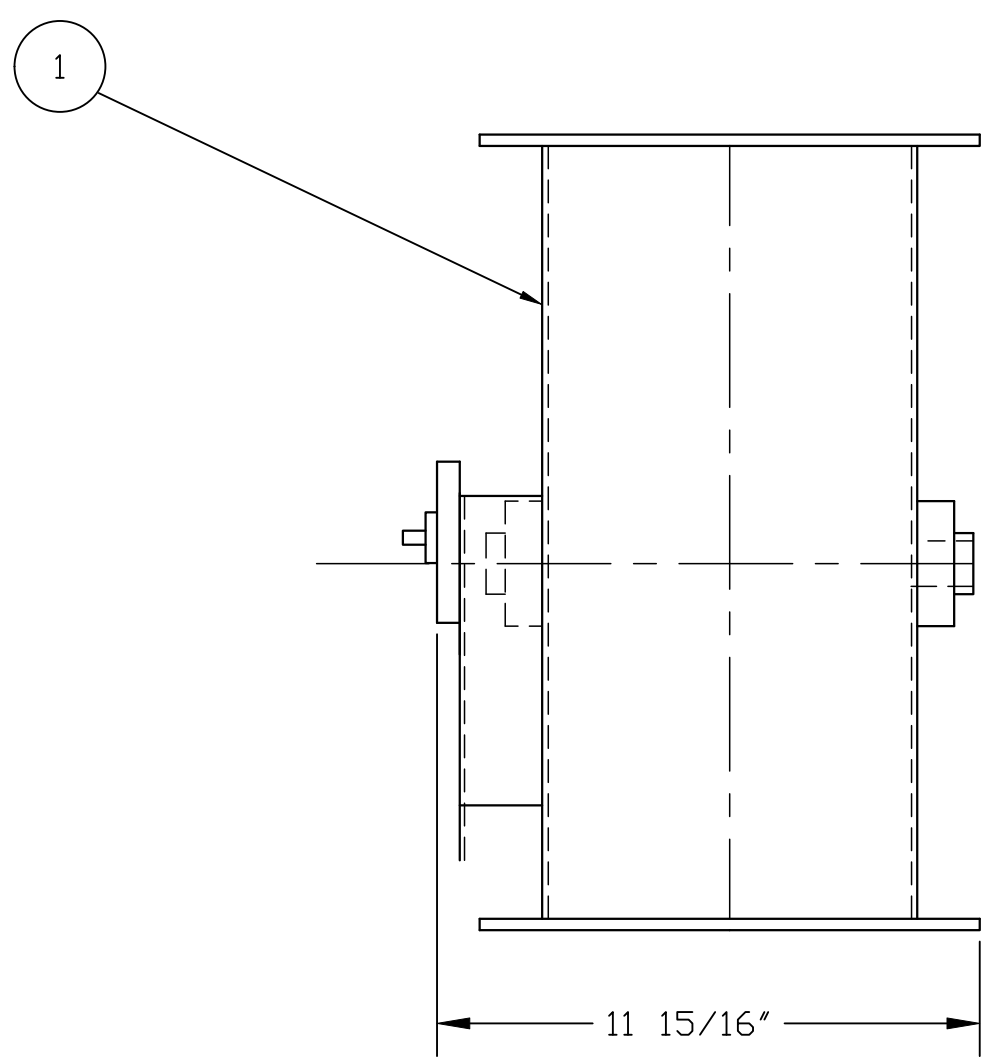
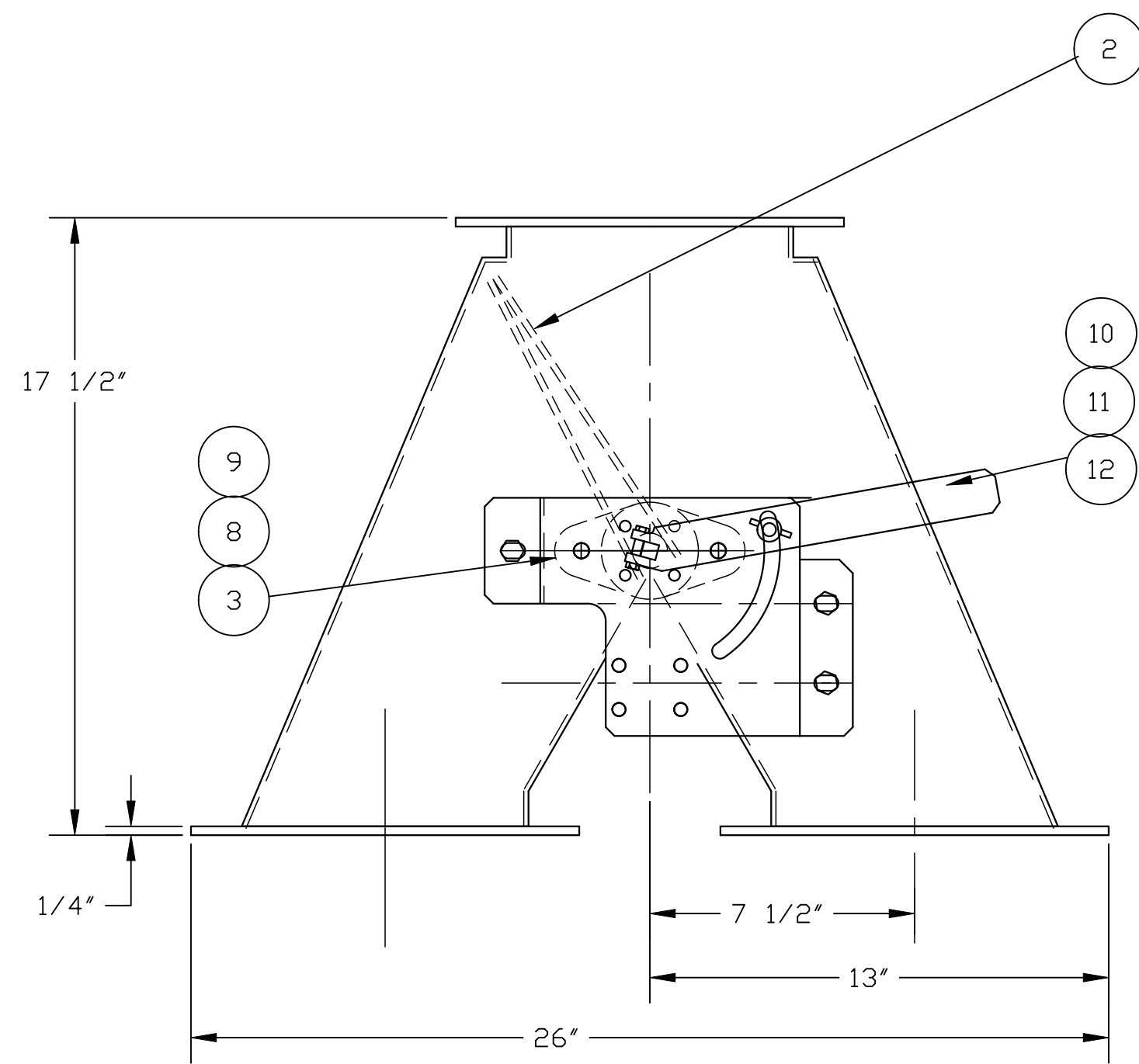


| MATERIAL LIST | | | |
|---------------|----------|------------------------------------|------|
| ITEM | PART NO. | DESCRIPTION | QTY. |
| 1 | 433C- | HOUSING | 1 |
| 2 | 433C- | DIVERTER GATE & SHAFT ASSY | 1 |
| 3 | 450AA072 | BEARING | 2 |
| 4 | | | |
| 5 | 433B-039 | MOUNTING BRACKET | 1 |
| 6 | | | |
| 7 | | 1/4-20 HEX NUT | 3 |
| 8 | | 3/8-16 HEX HD CAP SCR. X 1 1/4' LG | 4 |
| 9 | | 3/8-16 HEX NUT | 4 |
| 10 | 433E-063 | HANDLE | 1 |
| 11 | 450JH342 | 3/8-16 SQUARE NECK RD HD BOLT | 1 |
| 12 | 450JH050 | 3/8 WING NUT | 1 |



FOR
REFERENCE
ONLY

| REVISIONS | | | |
|-----------|----------|-----------------------|-----|
| C | 12-13-00 | ADD LIMIT SW LAYER | GJL |
| B | 8-13-99 | DELETE ITEM 4 | GJL |
| A | 10/8/98 | REMOVE 2 STUDS ITEM 6 | LM |

WM. W. MEYER & SONS, INC.
LIBERTYVILLE, ILLINOIS

8X8 CONFIGURED GRAVITY DIVERTER VALVE
MANUALLY OPERATED

| | | | |
|--------------|-----|----------------|---------|
| OUR S.O. NO. | | REF. S.O. NO. | |
| DRAWN | GJL | DATE | 9-16-97 |
| APPROVED | MRD | SCALE | 1/4 |
| | | DRAWING NUMBER | |
| | | 433C-035B | |

FILE:433C-035