

MATERIAL LIST			
ITEM	PART NO.	DESCRIPTION	QTY.
1	433A-	HOUSING	1
2	433A-	DIVERTER GATE & SHAFT ASSY	1
3	450AA072	BEARING	2
4			
5	433A-019	MOUNTING BRACKET	1
6			
7		1/4-20 HEX NUT	2
8		3/8-16 HEX HD CAP SCR. X 1 1/4\"/>	
9		3/8-16 HEX NUT	4
10	433E-063	HANDLE	1
11	450JH342	3/8-16 SQUARE NECK RD HD BOLT	1
12	450JH050	3/8 WING NUT	1

ⓑ
Ⓐ

⑦⑤

②

①

⑩

⑪

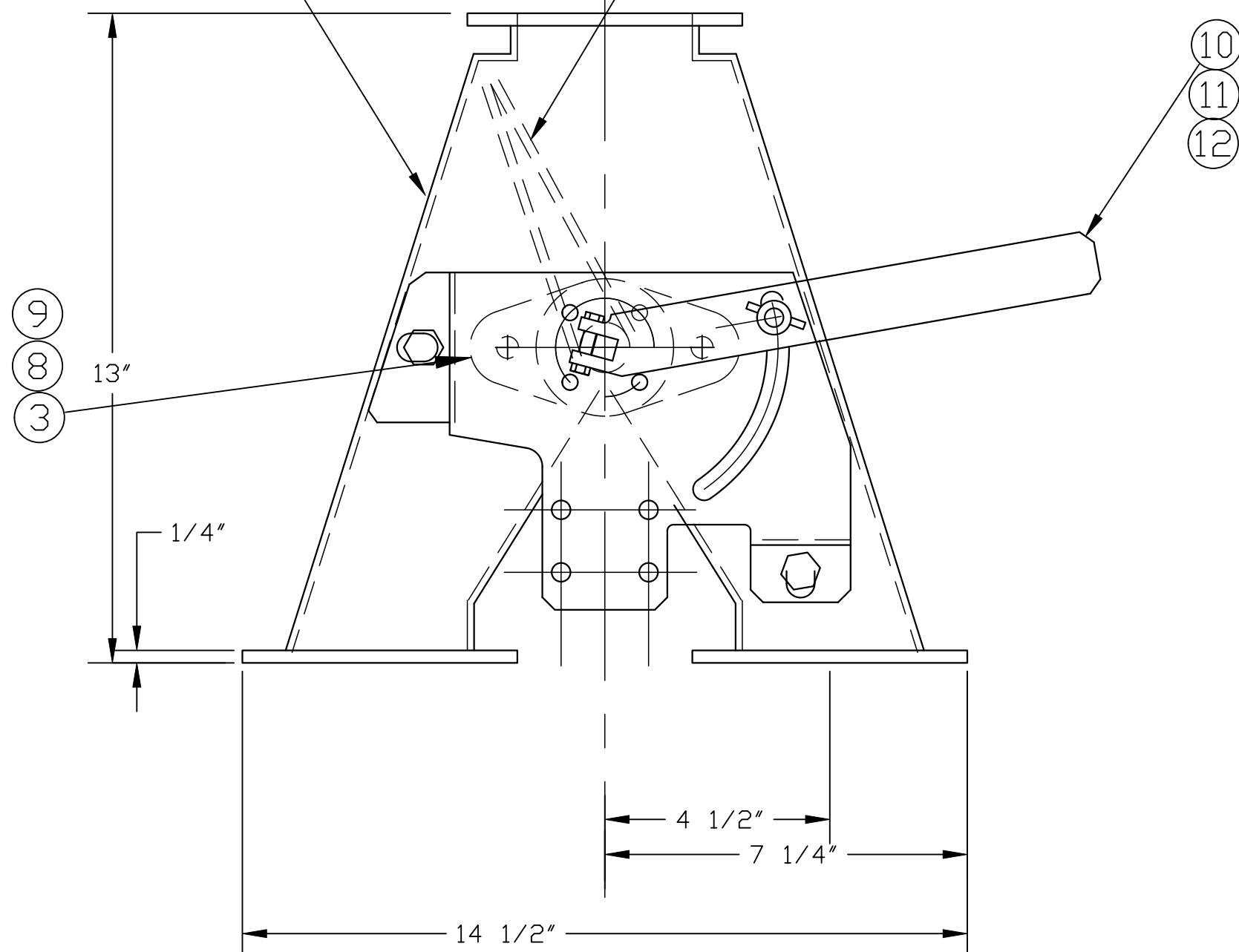
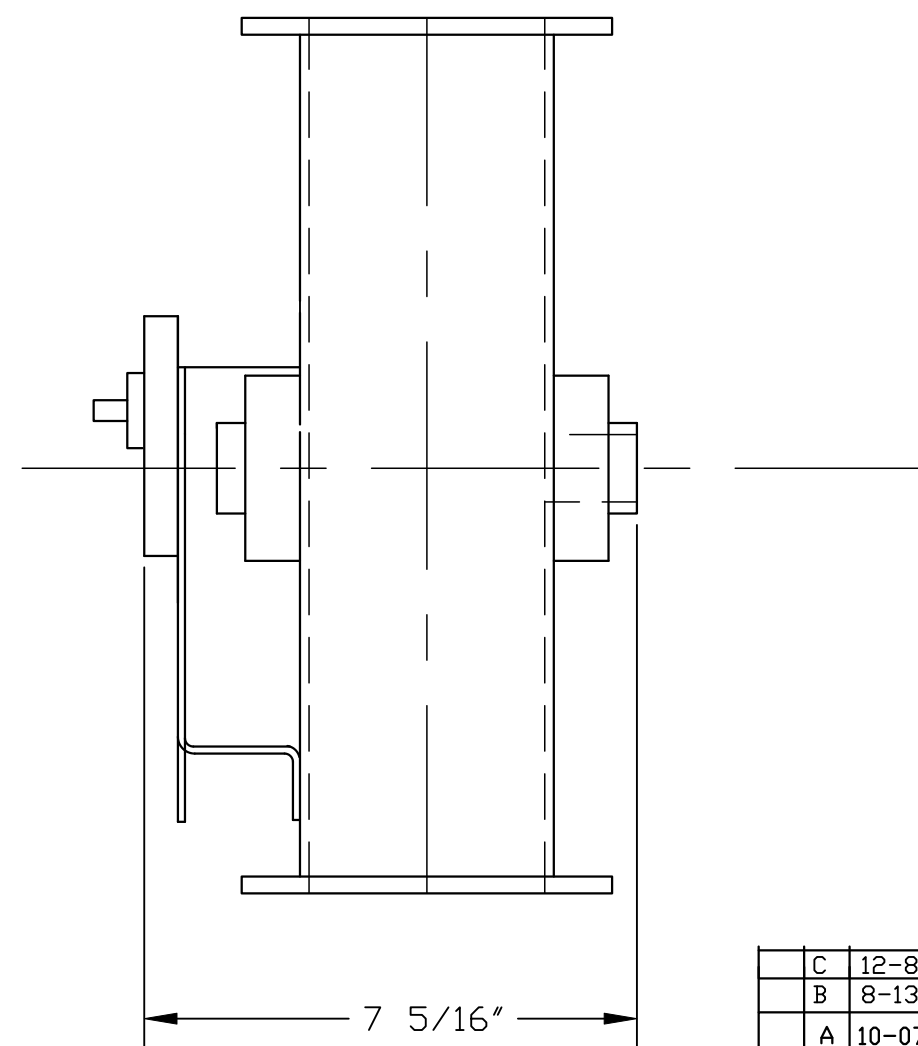
⑫

⑨

⑧

③

FOR
REFERENCE
ONLY



REV	DATE	DESCRIPTION	BY
C	12-8-00	ADD SWITCH LAYER & SWITCH	GJL
B	8-13-99	DELETE ITEM 4	GJL
A	10-07-98	REMOVE 2 STUDS IT.6	LM

REVISIONS

WM. W. MEYER & SONS, INC.
LIBERTYVILLE, ILLINOIS

4X4 CONFIGURED GRAVITY DIVERTER VALVE
MANUALLY OPERATED

OUR S.D. NO. REF. S.D. NO.

DRAWN	GJL	DATE	9-15-97	DRAWING NUMBER	433A-020B
APPROVED	MRD	SCALE	3/8		

SK-140
CAD FILE:433A-020