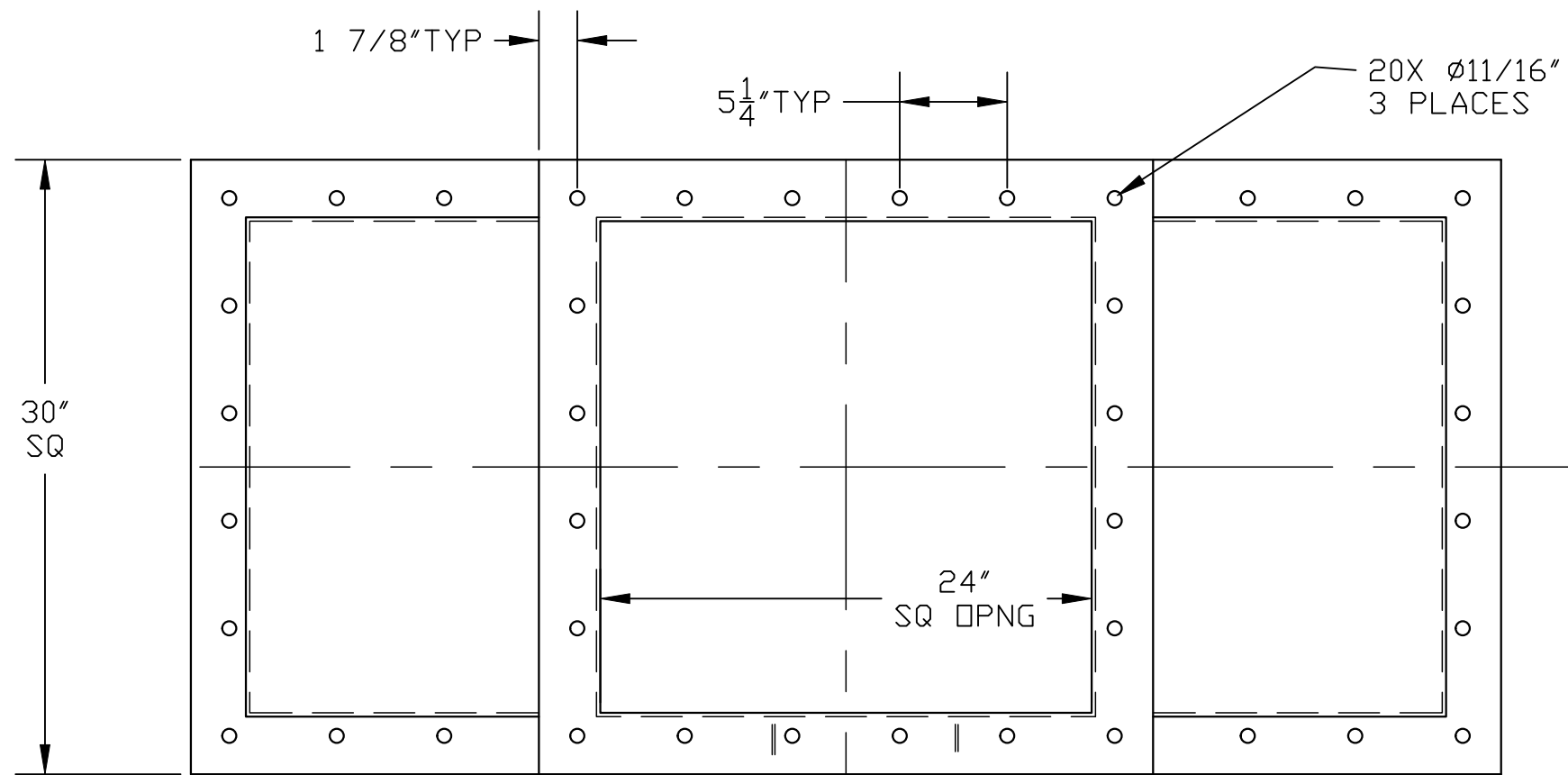
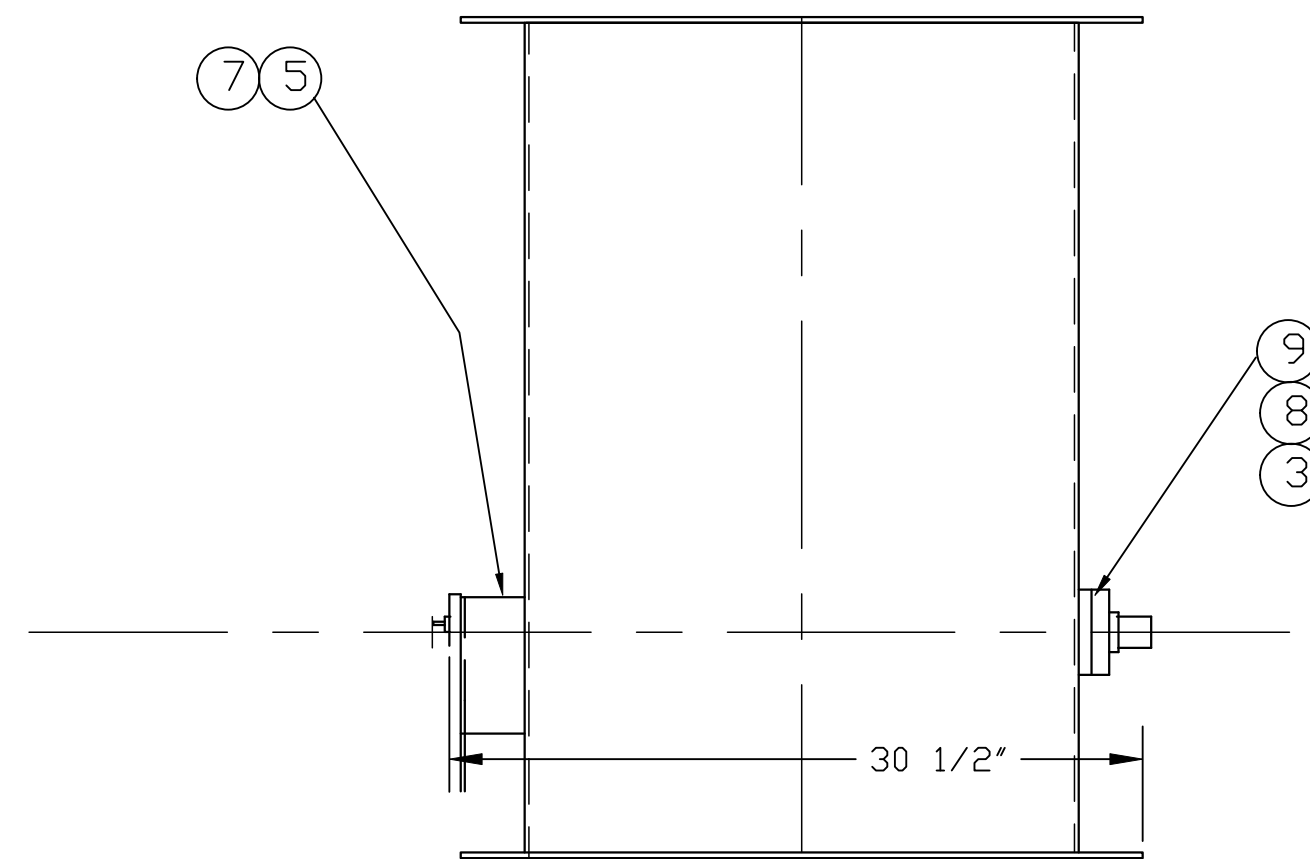
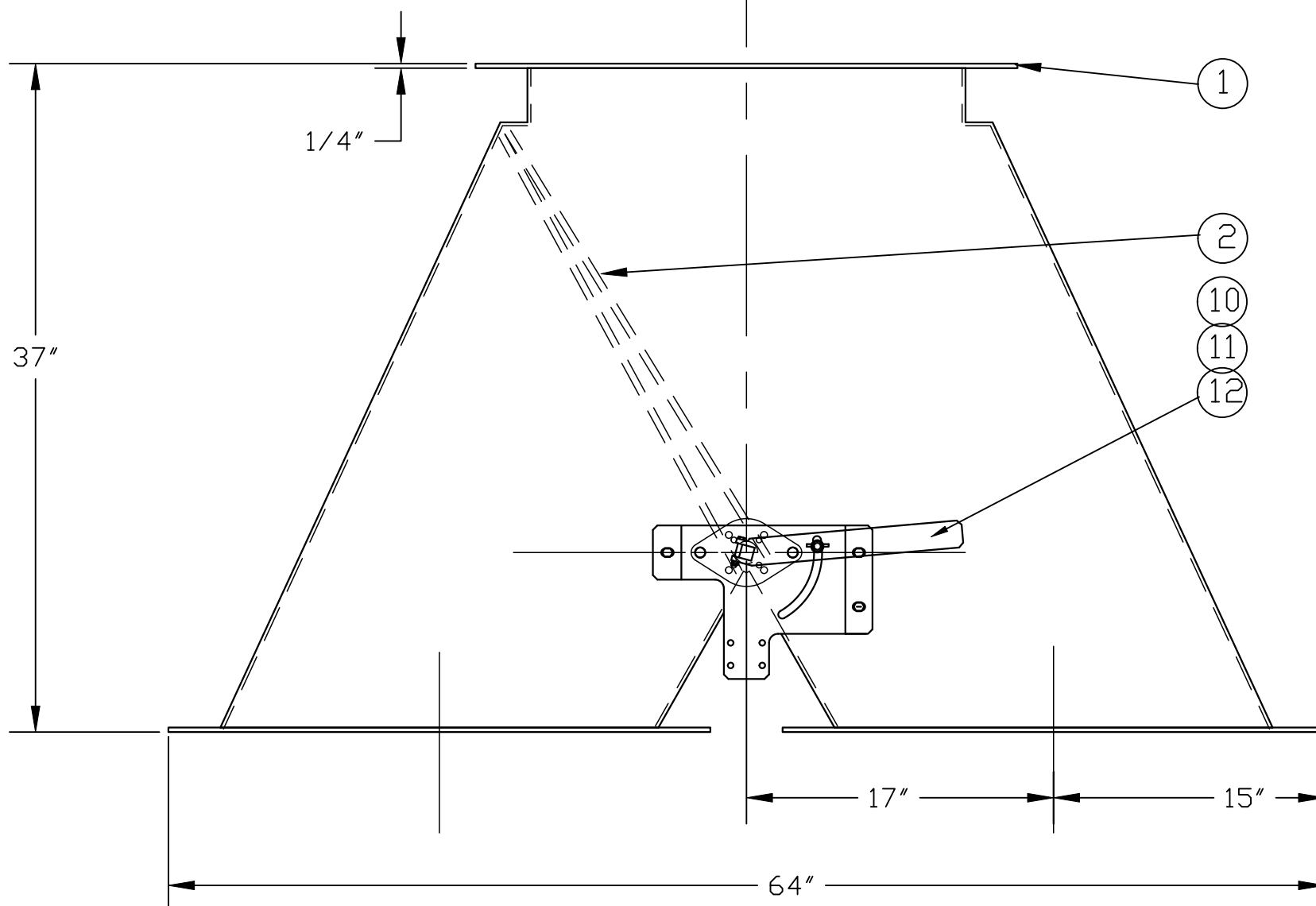


MATERIAL LIST

ITEM	PART NO.	DESCRIPTION	QTY.
1	433R-	HOUSING	1
2	433R-	DIVERTER GATE & SHAFT ASSY	1
3	450AA068	BEARING	2
4			
5	433K-042	MOUNTING BRACKET	1
6			
7		1/4-20 HEX NUT	3
8		3/8-16 HEX HD CAP SCR. X 1 1/4" LG	4
9		3/8-16 HEX NUT	4
10	433M-030	HANDLE	1
11	450JH342	3/8-16 SQUARE NECK RD HD BOLT	1
12	450JH050	3/8 WING NUT	1



FOR
REFERENCE
ONLY



REV.	DATE	DESCRIPTION	BY
C	12-20-00	ADD LIMIT SWITCH LAYER	GJL
B	8-23-99	DELETE ITEM 4 450BB031	GJL
A	11-6-98	REMOVE 3 STUD IT. 6	LM

REVISIONS

WM. W. MEYER & SONS, INC.
LIBERTYVILLE, ILLINOIS

24X24 CONFIGURED GRAVITY DIVERTER VALVE
MANUALLY OPERATED

OUR S.O. NO. REF. S.O. NO.

DRAWN	GJL	DATE	10-2-97	DRAWING NUMBER	433R-028B
APPROVED	MRD	SCALE	1/8		

FILE:433R-028