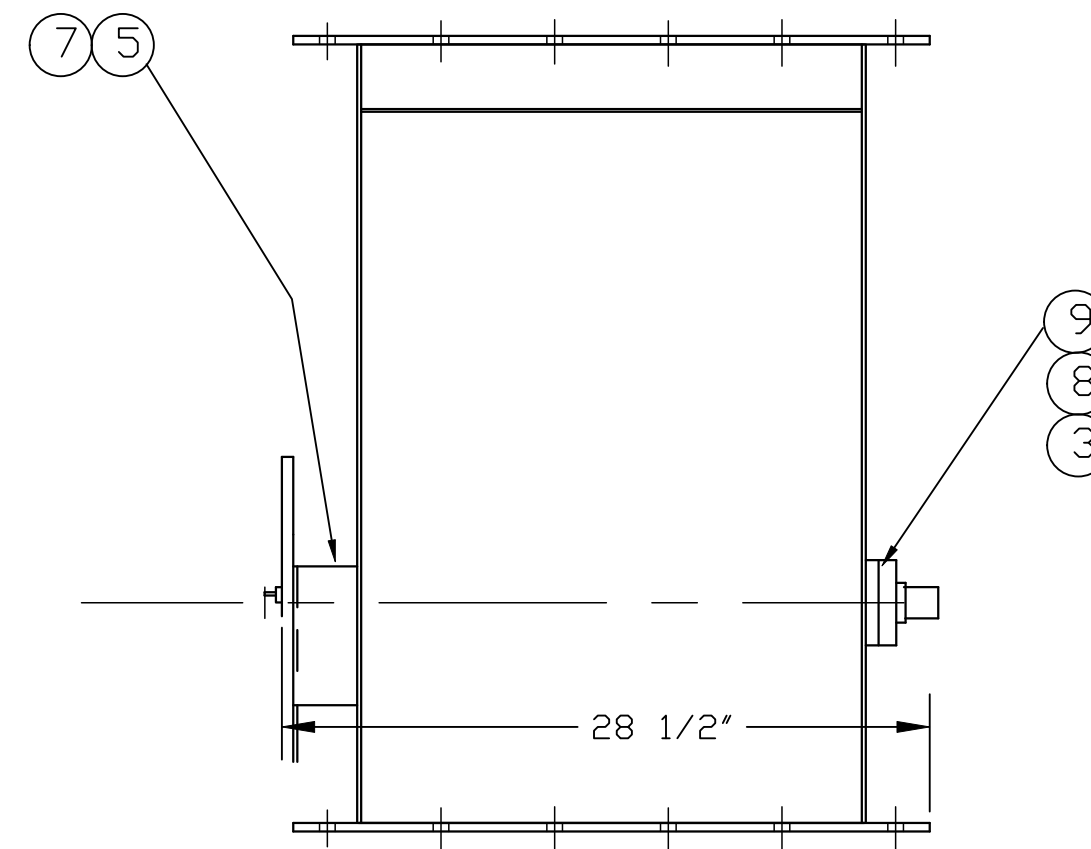
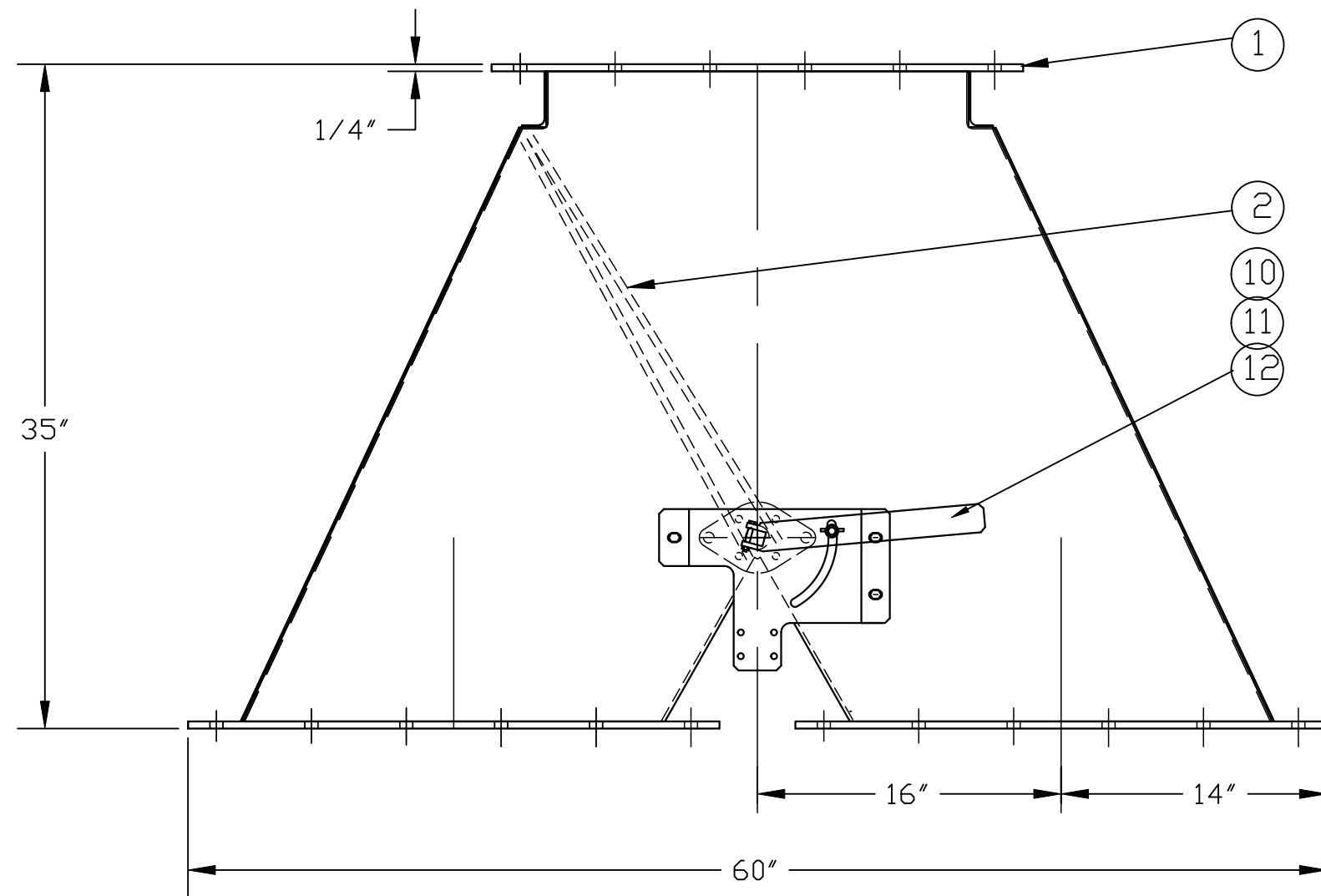


MATERIAL LIST			
ITEM	PART NO.	DESCRIPTION	QTY.
1	433U-	HOUSING	1
2	433U-	DIVERTER GATE & SHAFT ASSY	1
3	450AA068	BEARING	2
4			
5	433K-042	MOUNTING BRACKET	1
6			
7		1/4-20 HEX NUT	3
8		3/8-16 HEX HD CAP SCR. X 1 1/4\"/>	

FOR
REFERENCE
ONLY



REV	DATE	DESCRIPTION	BY
C	12-18-00	ADD LIMIT SWITCH LAYER	GJL
B	8-23-99	DELETE ITEM 4, 450BB031	GJL
A	10-04-98	REMOVE 3 STUDS IT.6	LM

REVISIONS

WM. W. MEYER & SONS, INC.
LIBERTYVILLE, ILLINOIS

22X22 CONFIGURED GRAVITY DIVERTER VALVE
MANUALLY OPERATED

OUR S.O. NO. REF. S.O. NO.

FILE:433U-026

DRAWN	GJL	DATE	10-2-97	DRAWING NUMBER	433U-026B
APPROVED	MRD	SCALE	1/8		