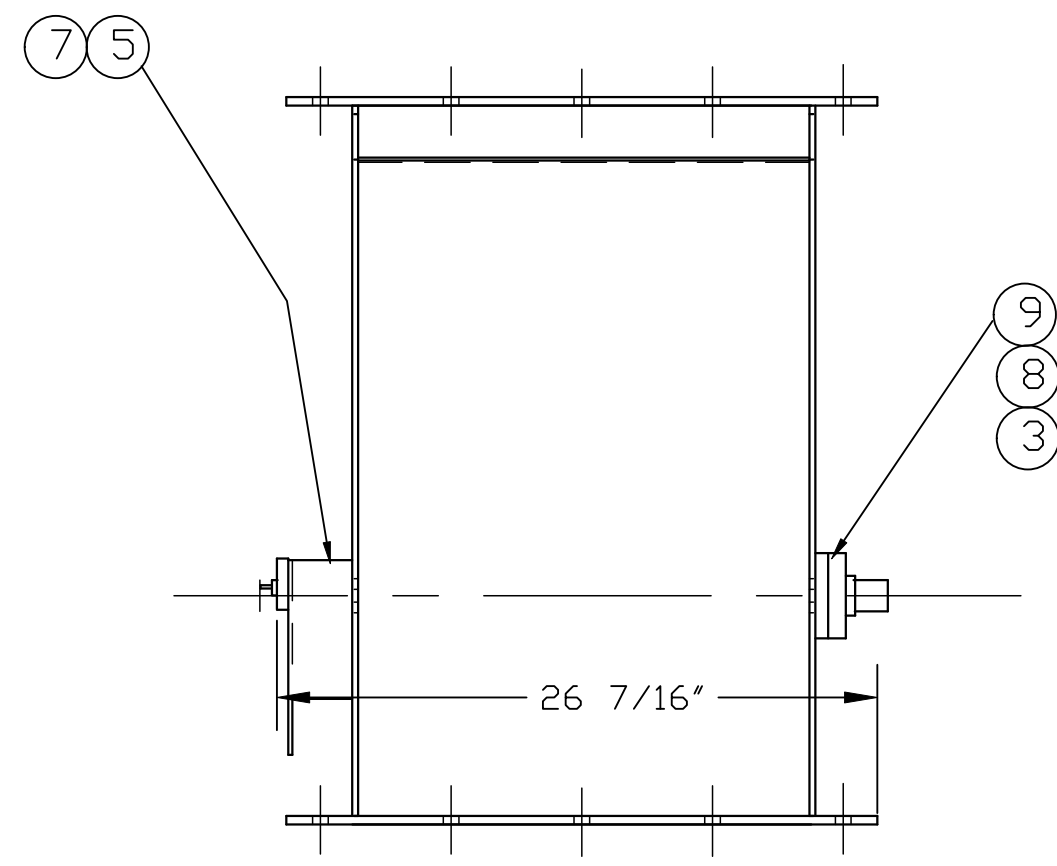
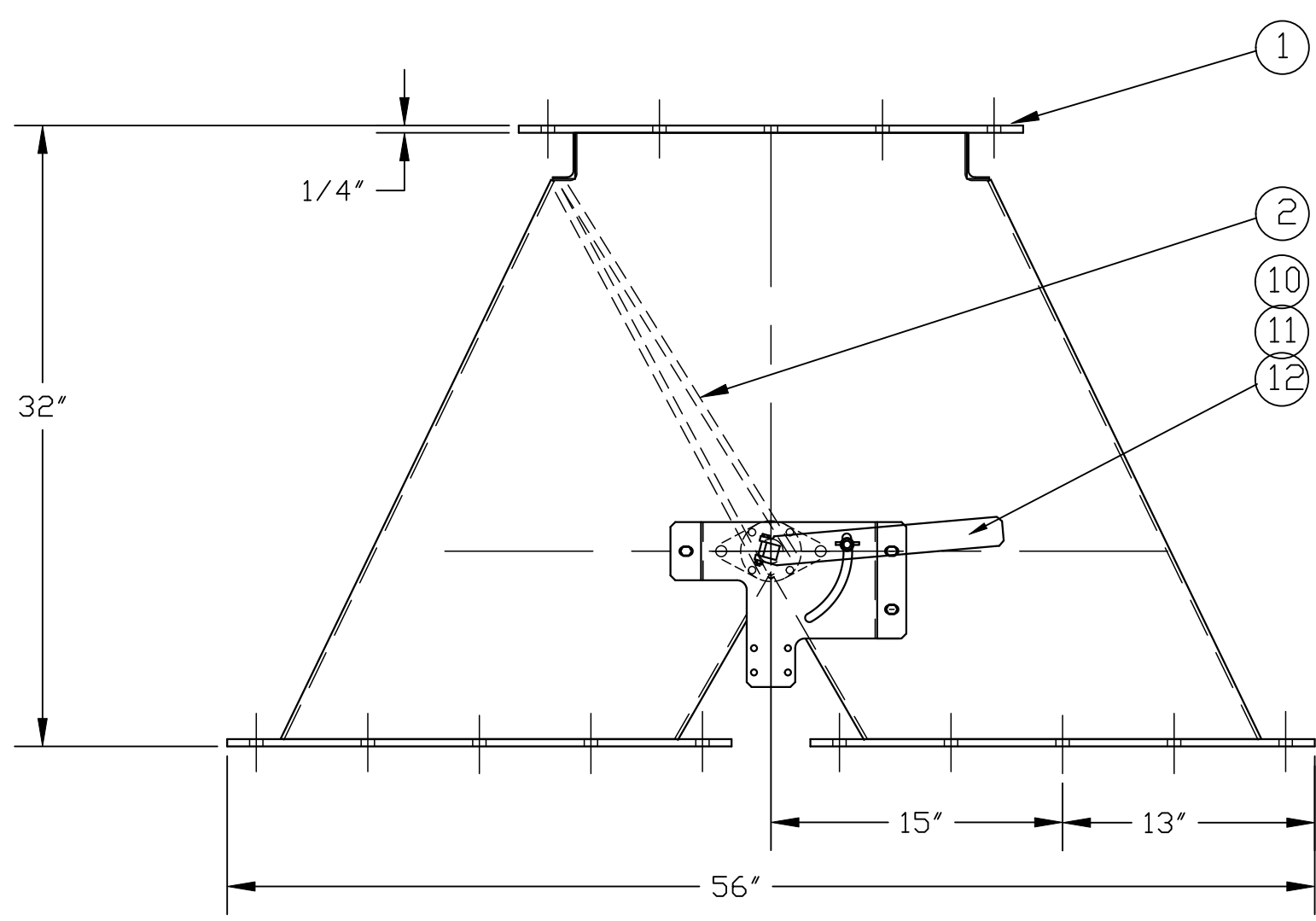


MATERIAL LIST			
ITEM	PART NO.	DESCRIPTION	QTY.
1	433N-	HOUSING	1
2	433N-	DIVERTER GATE & SHAFT ASSY	1
3	450AA068	BEARING	2
4			
5	433K-042	MOUNTING BRACKET	1
6			
7		1/4-20 HEX NUT	3
8		3/8-16 HEX HD CAP SCR. X 1 1/4" LG	4
9		3/8-16 HEX NUT	4
10	433M-030	HANDLE	1
11	450JH342	3/8-16 SQUARE NECK RD HD BOLT	1
12	450JH050	3/8 WING NUT	1



FOR  
REFERENCE  
ONLY

REV	DATE	DESCRIPTION	BY
C	12-18-00	ADD LIMIT SWITCH LAYER	GJL
B	8-23-99	DELETE ITEM 4, 450BB031	GJL
A	10-04-98	REMOVED 3 STUDS IT.6	LM

REVISIONS

**WM. W. MEYER & SONS, INC.**  
LIBERTYVILLE, ILLINOIS

20X20 GRAVITY DIVERTER VALVE ASSY  
MANUALLY OPERATED

OUR S.O. NO. \_\_\_\_\_ REF. S.O. NO. \_\_\_\_\_

DRAWN	GJL	DATE	10-2-97	DRAWING NUMBER	433N-017B
APPROVED	MRD	SCALE	1/8		

FILE:433N-017