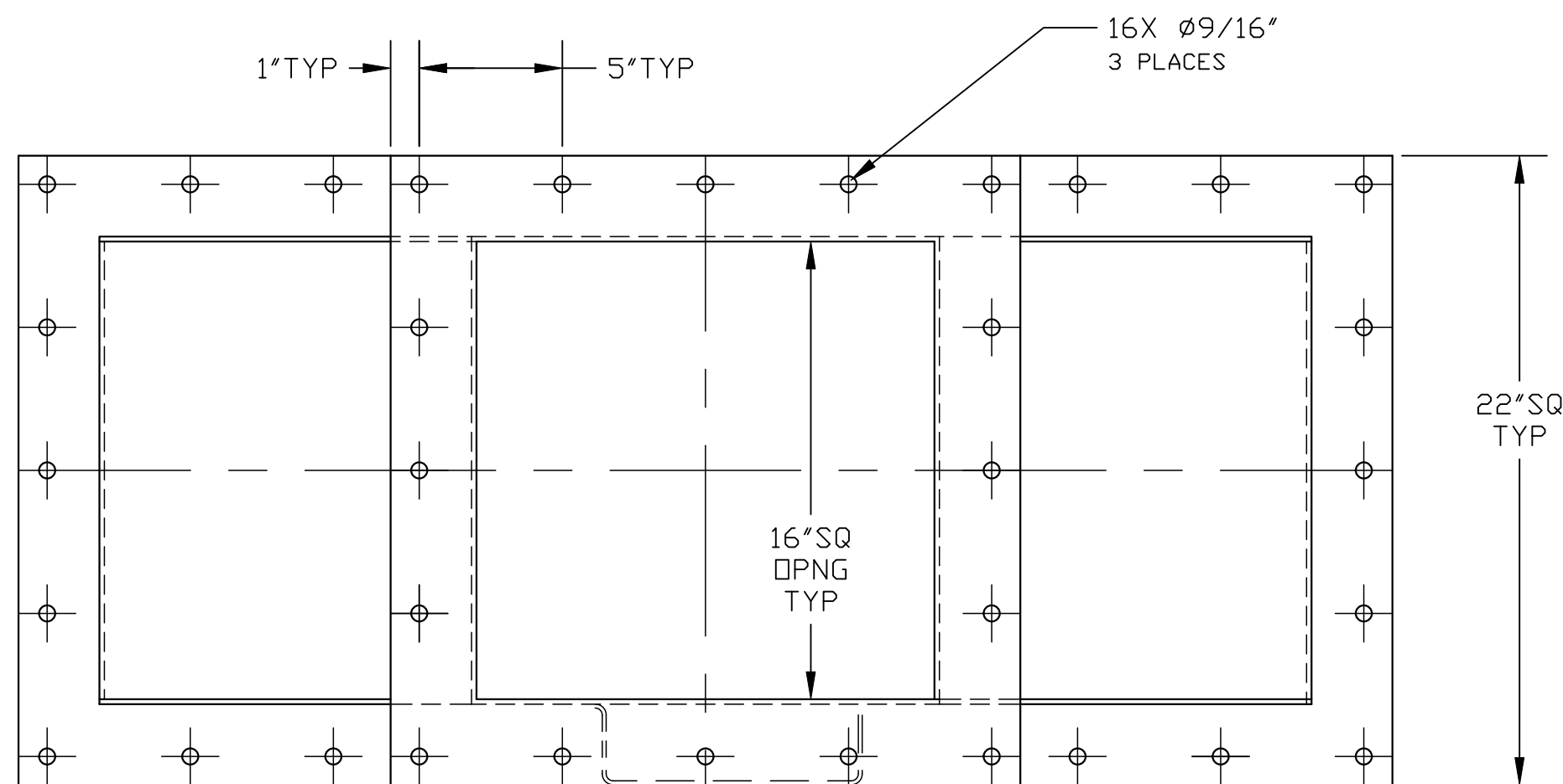
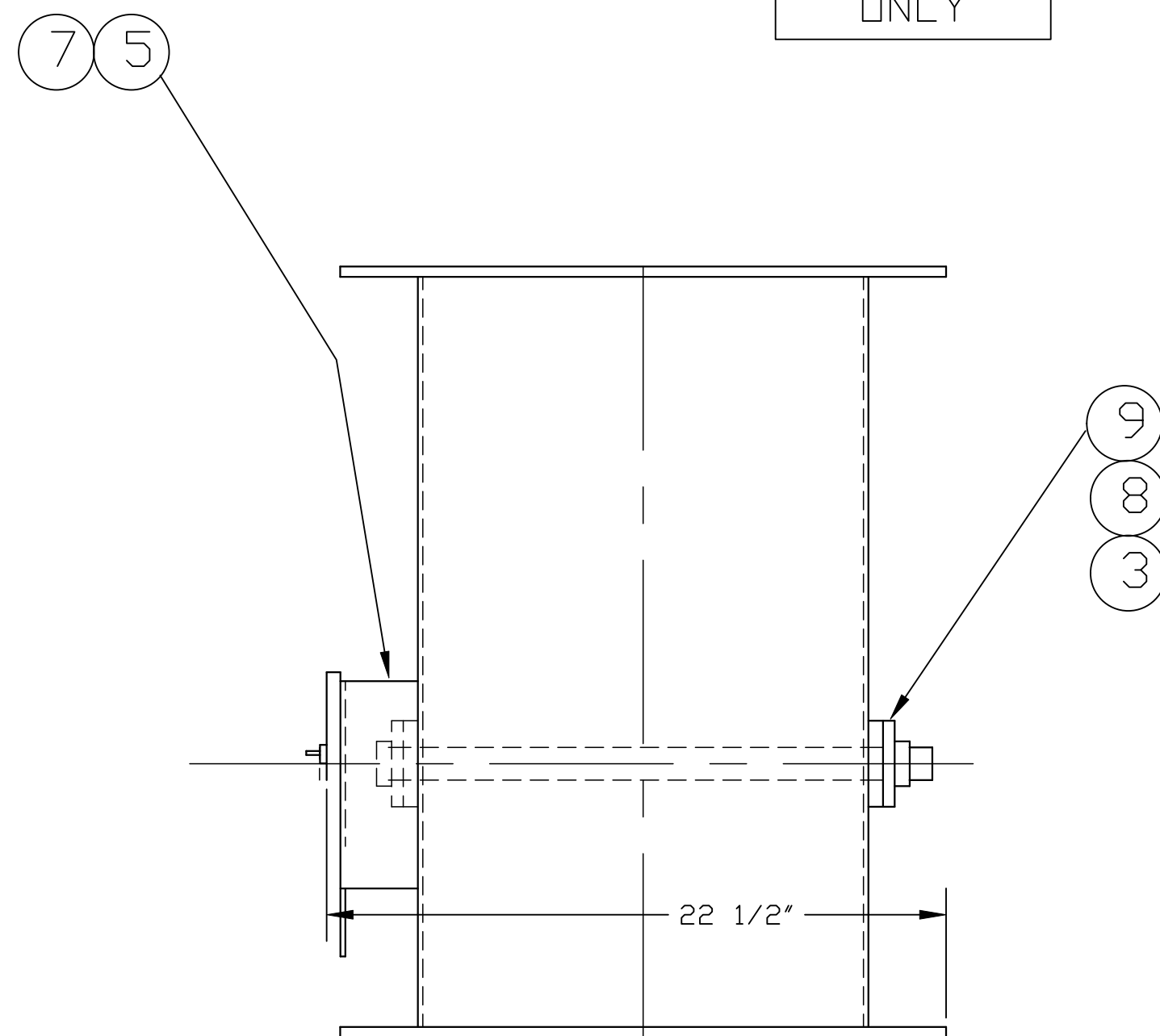
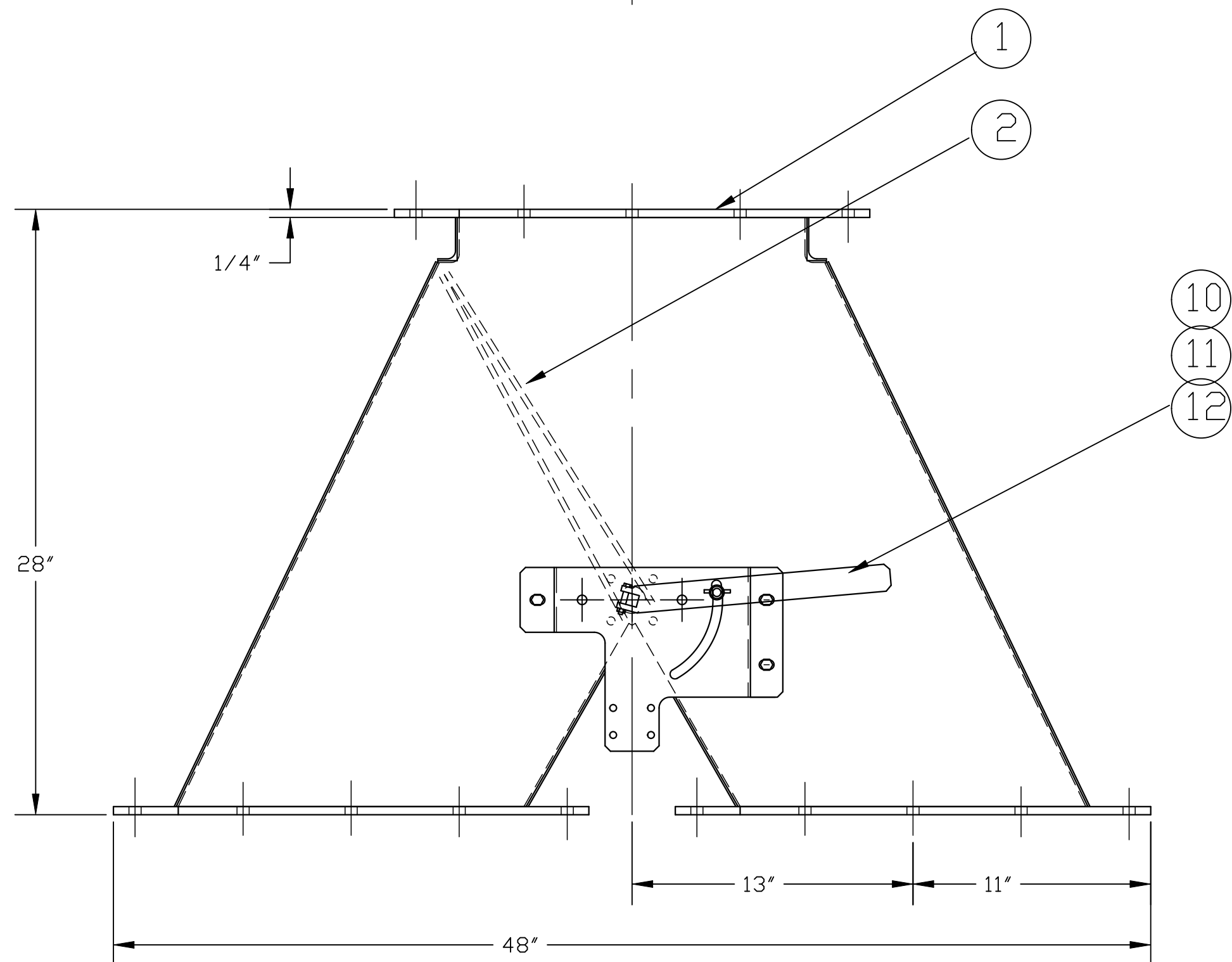


MATERIAL LIST			
ITEM	PART NO.	DESCRIPTION	QTY.
1	433L-	HOUSING	1
2	433L-	DIVERTER GATE & SHAFT ASSY	1
3	450AA073	BEARING	2
4			
5	433K-042	MOUNTING BRACKET	1
6			
7		1/4-20 HEX NUT	3
8		3/8-16 HEX HD CAP SCR. X 1 1/4" LG	4
9		3/8-16 HEX NUT	4
10	433K-044	HANDLE	1
11	450JH342	3/8-16 SQUARE NECK RD HD BOLT	1
12	450JH050	3/8 WING NUT	1



FOR
REFERENCE
ONLY



REV	DATE	DESCRIPTION	BY
C	12-18-00	ADD LIMIT SWITCH LAYER	GJL
B	8-23-99	DELETE ITEM 4, 450BB031	GJL
A	10-15-98	REMOVE 3 STUDS IT.6	LM

REVISIONS

WM. W. MEYER & SONS, INC.
LIBERTYVILLE, ILLINOIS

16X16 CONFIGURED GRAVITY DIVERTER VALVE
MANUALLY OPERATED

OUR S.D. NO. REF. S.D. NO.

DRAWN	GJL	DATE	10-1-97	DRAWING NUMBER	433L-023B
APPROVED	MRD	SCALE	3/16		

FILENAME:433L-023