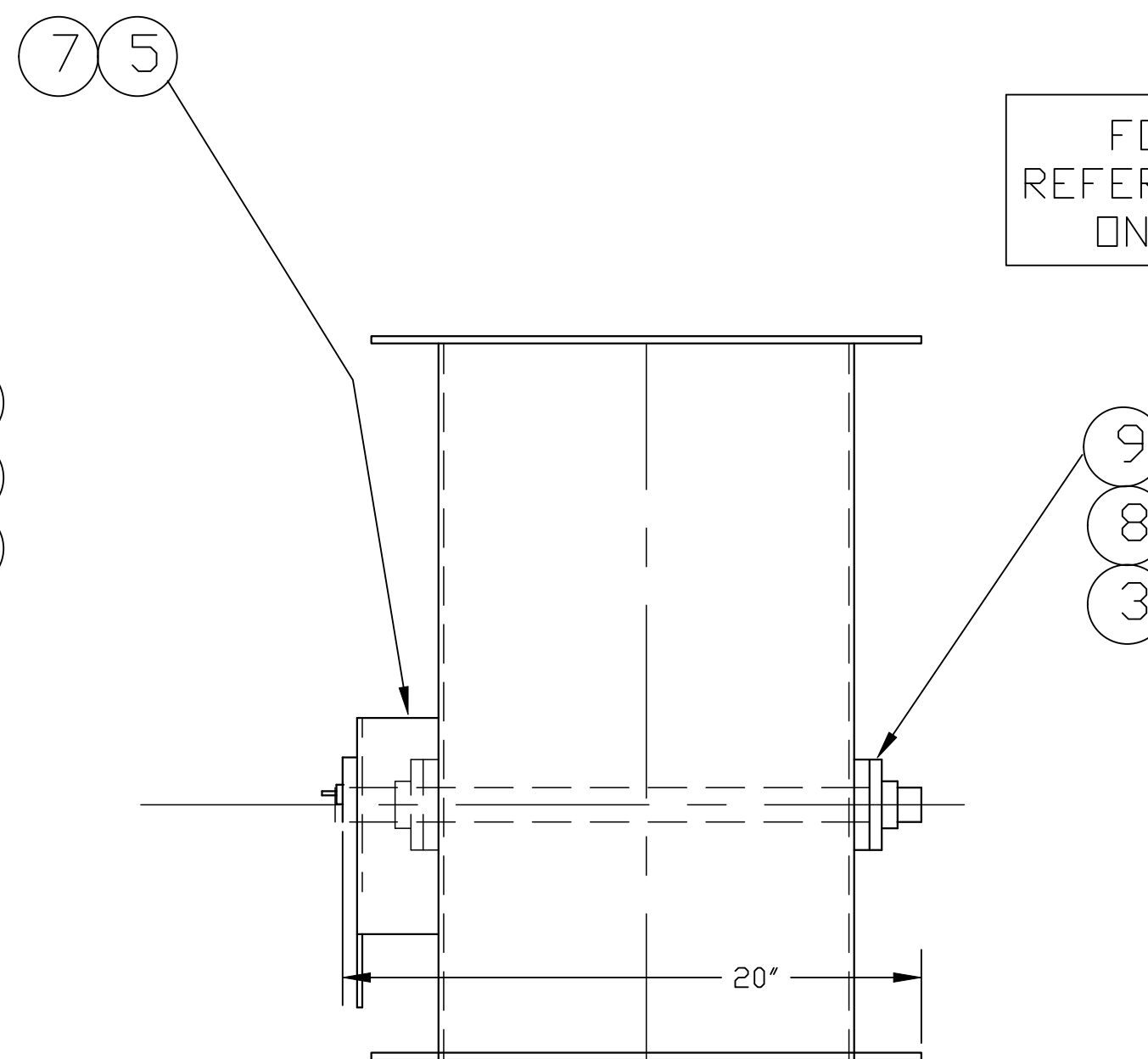
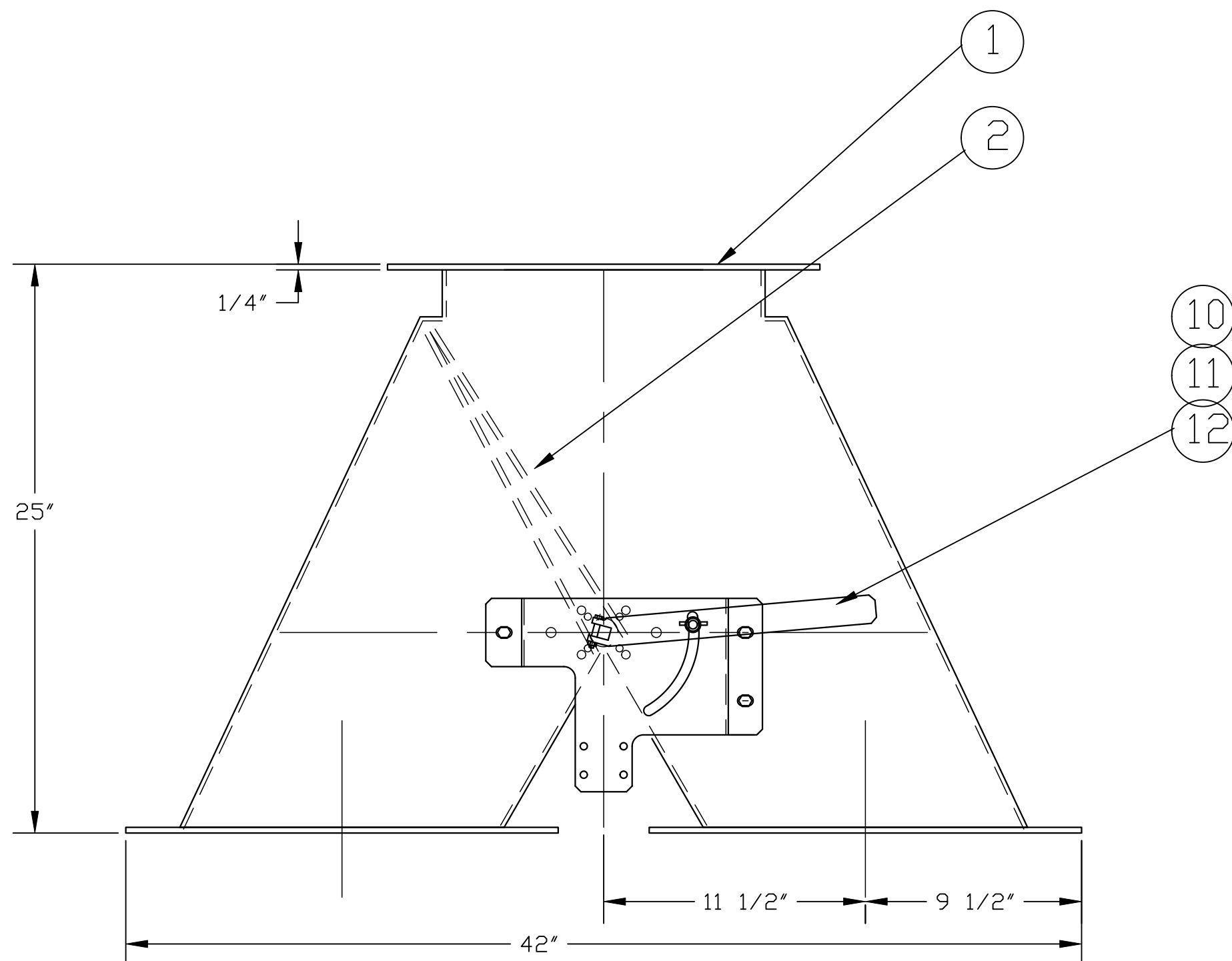


MATERIAL LIST			
ITEM	PART NO.	DESCRIPTION	QTY.
1	433K-	HOUSING	1
2	433K-	DIVERTER GATE & SHAFT ASSY	1
3	450AA073	BEARING	2
4			
5	433K-042	MOUNTING BRACKET	1
6			
7		1/4-20 HEX NUT	3
8		3/8-16 HEX HD CAP SCR. X 1 1/4" LG	4
9		3/8-16 HEX NUT	4
10	433K-044	HANDLE	1
11	450JH342	3/8-16 SQUARE NECK RD HD BOLT	1
12	450JH050	3/8 WING NUT	1



FOR
REFERENCE
ONLY

REVISIONS			
A	10-14-98	REMOVE 3 STUDS IT. 6	LM
WM. W. MEYER & SONS, INC. LIBERTYVILLE, ILLINOIS			
14X14 CONFIGURED GRAVITY DIVERTER VALVE MANUALLY OPERATED			
OUR S.O. NO.		REF. S.O. NO.	
DRAWN	GJL	DATE	09-30-97
APPROVED	MRD	SCALE	3/16
			DRAWING NUMBER 433K-040B

FILE:433K-040