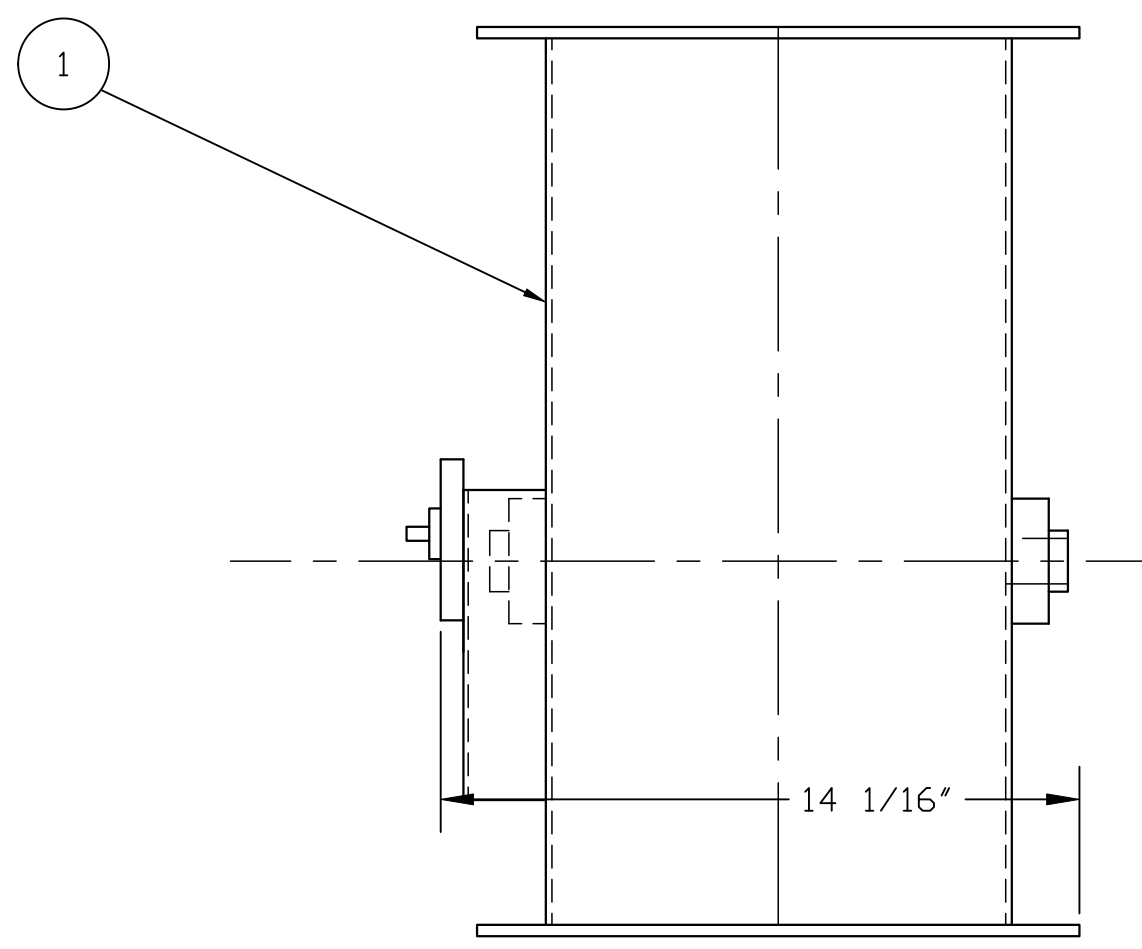
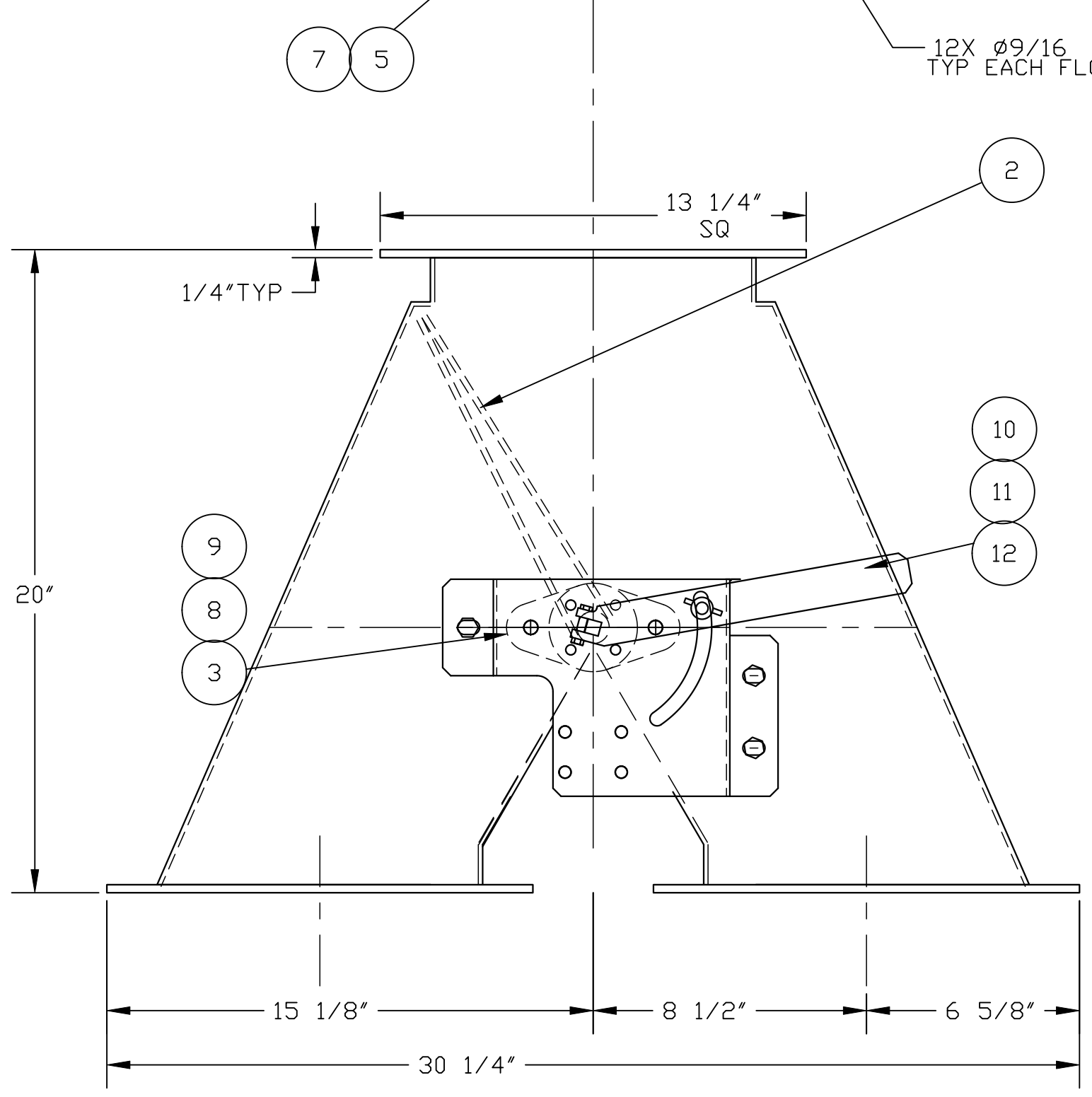


MATERIAL LIST			
ITEM	PART NO.	DESCRIPTION	QTY.
1	433D-	HOUSING	1
2	433D-	DIVERTER GATE & SHAFT ASSY	1
3	450AA072	BEARING	2
4			
5	433B-039	MOUNTING BRACKET	1
6			
7		1/4-20 HEX NUT	3
8		3/8-16 HEX HD CAP SCR. X 1 1/4' LG	4
9		3/8-16 HEX NUT	4
10	433E-063	HANDLE	1
11	450JH342	3/8-16 SQUARE NECK RD HD BOLT	1
12	450JH050	3/8 WING NUT	1

FOR
REFERENCE
ONLY



REV	DATE	DESCRIPTION	BY
D	12-13-00	ADD LIMIT SW LAYER	GJL
C	8-20-99	DELETE ITEM 4,450BB031	GJL
B	10-8-98	REMOVE 3 STUDS IT 6	LM
		DPNG WAS 9 1/2 SQ IT 1 WAS 433D-002, IT 2 WAS 433D-060, IT 14 WAS 450LE058	
A	9-16-97	CHANGE TO CONFIG. VALVE FROM MILD STL, REVISE B/M	GJL

WM. W. MEYER & SONS, INC.
LIBERTYVILLE, ILLINOIS

10X10 CONFIGURED GRAVITY DIVERTER VALVE
MANUALLY OPERATED

OUR S.O. NO.	REF. S.O. NO. 187227
DRAWN GJL	DATE 9-4-97
APPROVED MRD	SCALE 1/4
DRAWING NUMBER 433D-061B	

FILE:433D-061
433D-002