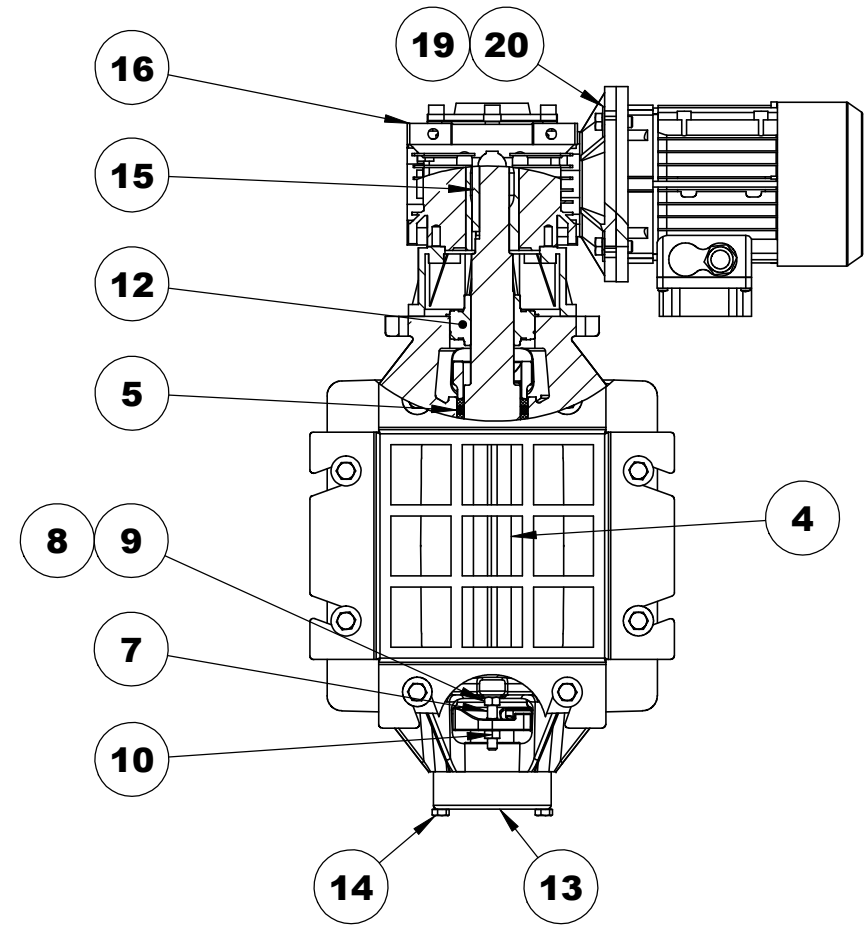
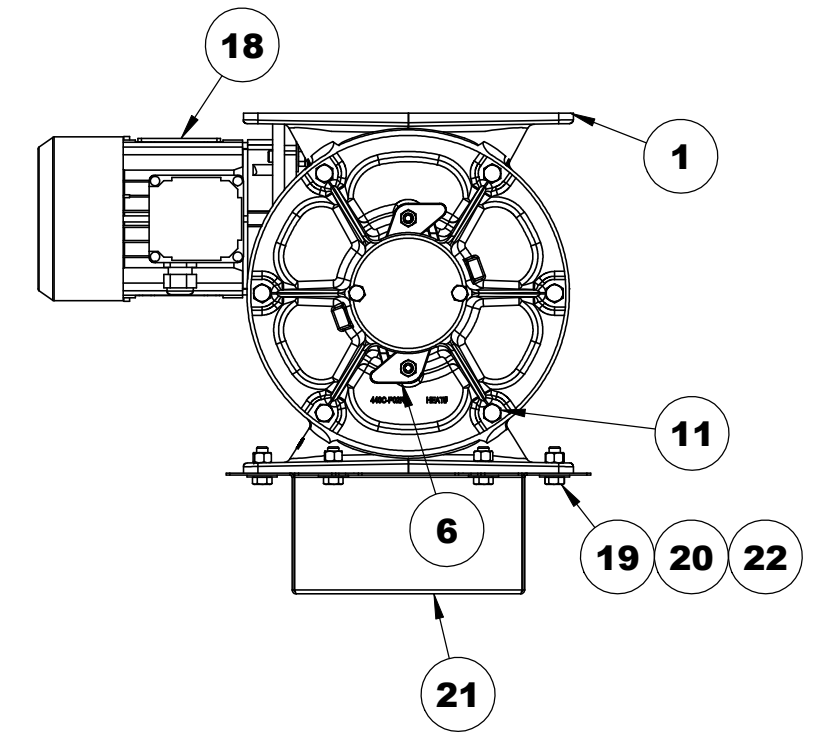
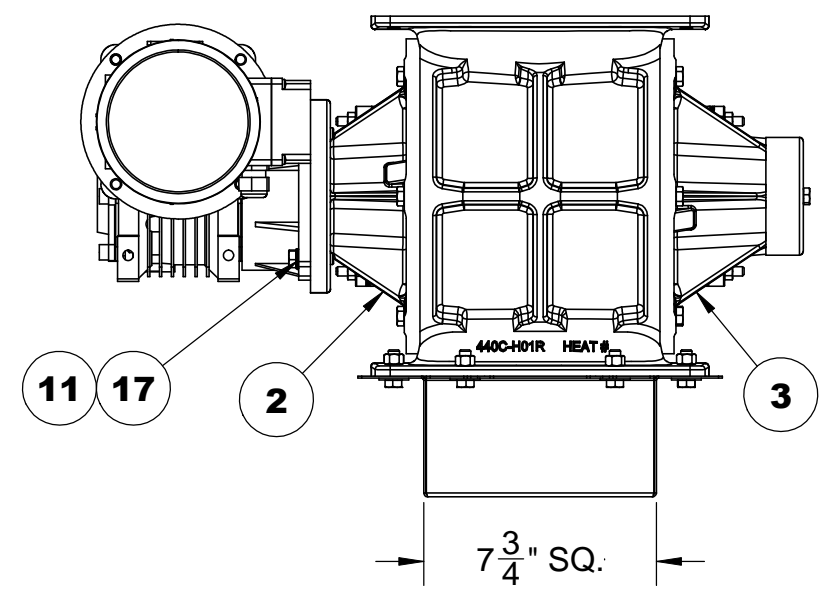
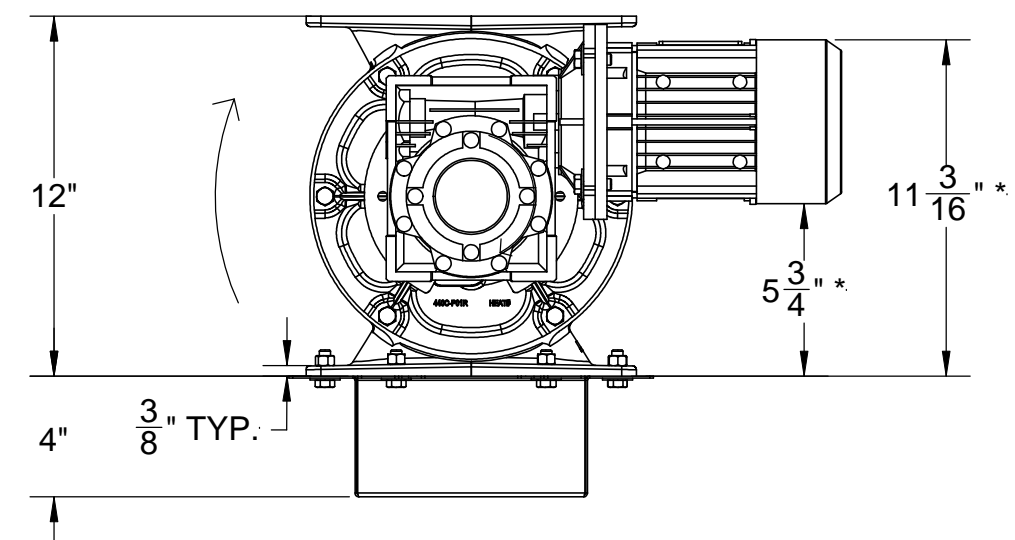
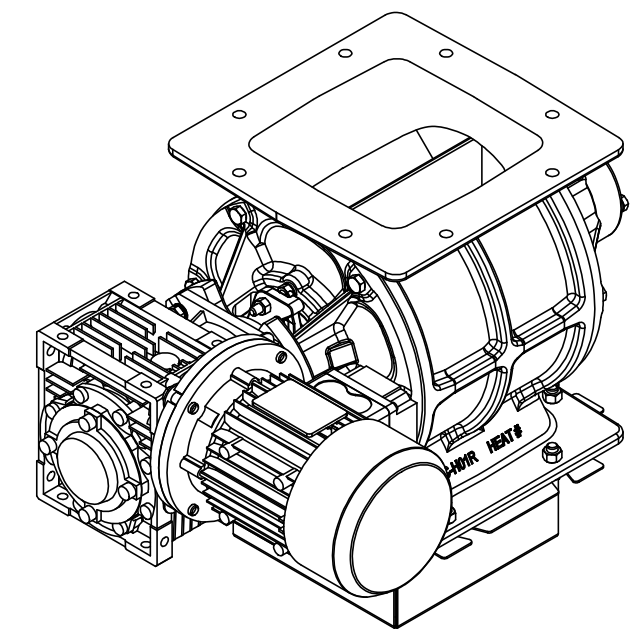
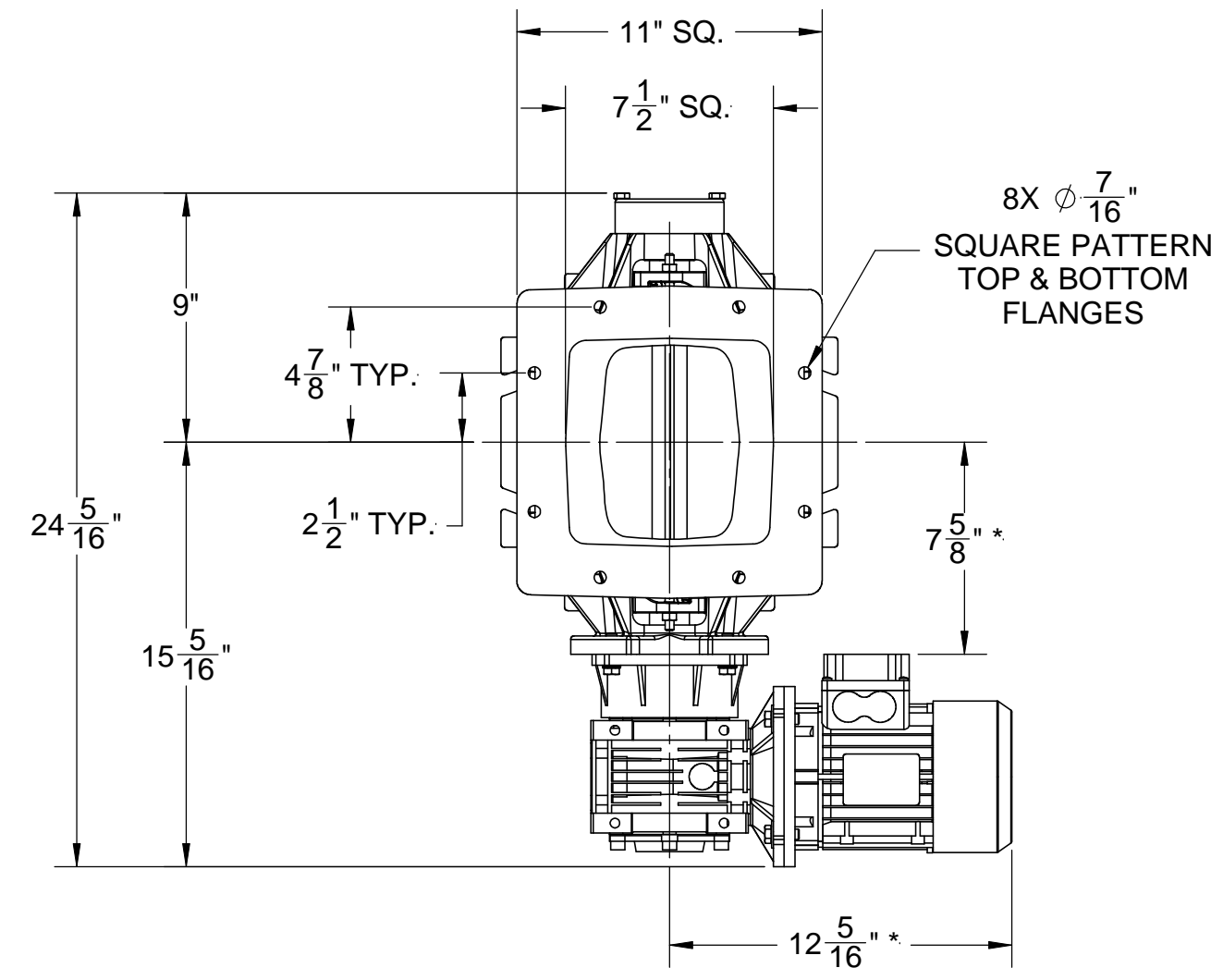


ITEM NO.	PartNo	Description	QTY.
1	440C-H31	8" UDV SQUARE HOUSING, CI	1
2	440C-P31	8" UDV DRIVE HEADPLATE, CI	1
3	440C-P32	8" UDV BLIND HEADPLATE, CI	1
4	440C-RD001-T225	8" DDV ROTOR 8VOEBV, CS	1
5	450BA188	1/4" PACKING RING, ARAMID FIBER	6
6	440C-N01	6" & 8" UDV PACKING NUT, CS	4
7	450JC083	5/16-18 X 2 1/2 STUD ZP SS	4
8	FS	5/16" LOCK WASHER	4
9	FS	5/16-18 HEX NUT	4
10	450JH669	5/16-18 CENTERLOCK HEX LOCKNUT, ZP	4
11	FS	3/8-16 X 1 1/4" HEX HEAD BOLT	16
12	450AA178	BEARING	2
13	440C-C05	8" UDV BE BEARING CAP, AL	1
14	FS	5/16-18 X 1 1/2" HEX HEAD BOLT	2
15	450JP027	1/4" X 1/4" X 3 1/4" KEY, CS	1
16	450GB679	GEARBOX, 80:1 1 1/8" BORE 56C	1
17	450JH553	3/8" X 5/8" NORD LOCK WASHER	4
18	450H-1836	.5 HP 1800RPM TEFC 208-230/460/60/3 56C	1
19	FS	3/8-16 X 1" HEX HEAD BOLT	12
20	FS	3/8" FLAT WASHER	12
21	430C-2432	8" DISCHARGE GUARD	1
22	FS	3/8-16 HEX NUT	8



NOTE:  
 1) DESIGN BASED ON 70-225 DEG. F. OPERATING TEMPERATURE.  
 2) PAINT STANDARD BLACK ENAMEL.  
 3) \* MOTOR DIMENSIONS BASED ON STANDARD MOTOR.

REVISIONS				
REV.	DESCRIPTION	DATE	DB	AP
OUR S.O. #	NAME	DATE		
REF S.O. #	DRAWN BY: SC	7/25/11		
REF DWG.	CHECKED BY:			
	ENG APRV.: GS	1/6/12		

**Wm. W. Meyer & Sons Inc.**  
LIBERTYVILLE, IL.

TITLE:  
8" SQUARE DDV ROTARY VALVE, CAST IRON  
8 VANE OPEN END BEVELED ROTOR  
1/2 HP, 22 RPM

DWG. NO. 442C-0001 REV

PART WEIGHT: 152 LBS SCALE: 5:32 SHEET: 1 OF 1

