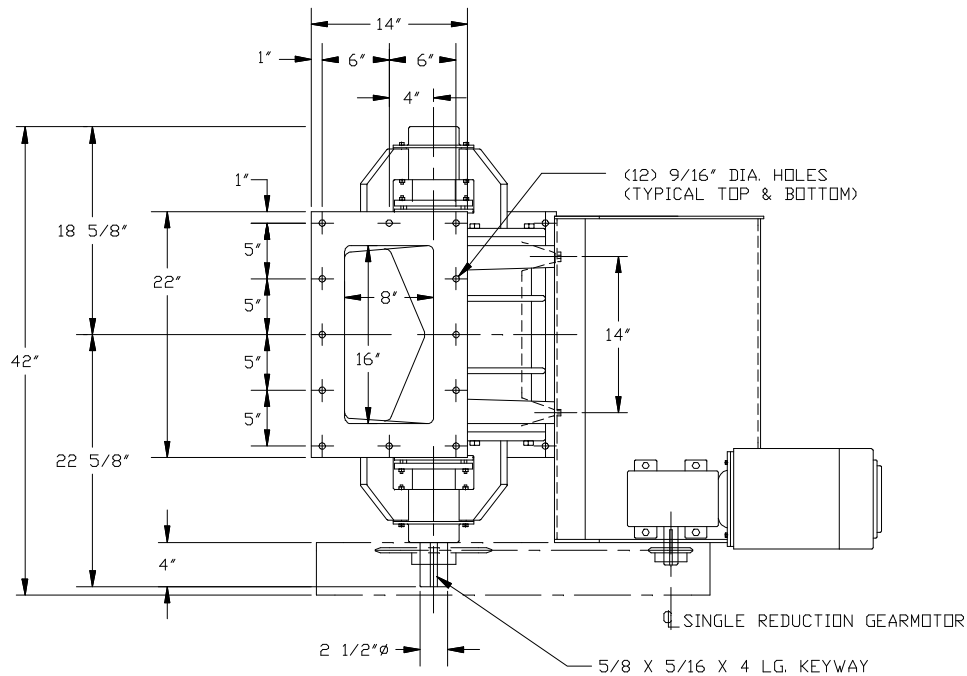


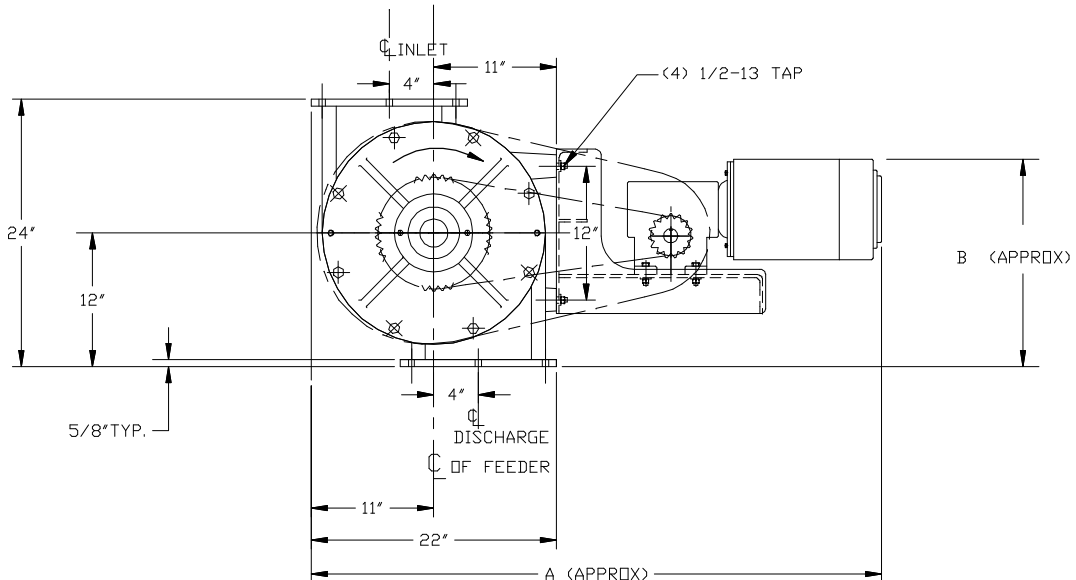
CAPACITIES IN CUBIC FEET PER MINUTE							
SIZE	ROTOR	CFR	5 RPM	10 RPM	15 RPM	20 RPM	25 RPM
16X16	6V	1.62	8.10	16.20	24.30	32.40	40.50
	8V	1.55	7.75	15.50	23.25	31.00	38.75



DATA FOR NORMAL SERVICE APPLICATIONS			
MOTOR HP	FEEDER RPM	A	B
3/4 TEFC	5 THRU 6	-	-
1 TEFC	7 THRU 9	43 13/16	17 3/4
1 1/2 TEFC	10 THRU 14	46 5/8	17 3/4
2 TEFC	15 THRU 22	46 5/8	17 3/4
3 TEFC	23 THRU 35	50	19 3/8

DATA FOR SEVERE SERVICE APPLICATIONS			
MOTOR HP	FEEDER RPM	A	B
1 1/2 TEFC	7 THRU 9	49 3/8	20 1/8
2 TEFC	10 THRU 14	49 3/8	20 1/8
3 TEFC	15 THRU 22	52 3/4	21 3/8

NOTES:
 1) ALL MOTORS: 3-60-230/460
 2) INFORMATION IS BASED UPON CATALOG DATA. THIS INFORMATION MUST BE USED IN CONJUNCTION WITH, AND NOT IN SUBSTITUTION FOR, THE APPLICABLE PRODUCT CATALOG WHICH CONTAINS IMPORTANT PRECAUTIONS AND OTHER PERTINENT INFORMATION



B	10-20-04	UPDATED MODEL NAME	SA
A	04-22-99	REDRAWN ON CAD	LM
REVISIONS			
WM. W. MEYER & SONS, INC. SKOKIE, ILLINOIS			
16 X 16 HDX SIDE ENTRY FEEDER ASSEMBLY WITH TYPICAL RECOMMENDED GEARMOTORS			
OUR S.D. NO.		REF. S.D. NO.	
DRAWN	TAD	DATE 10-24-88	DRAWING NUMBER
APPROVED	CVJ	SCALE 1/8"	430L-231

430L-453

M:\R\16X16HDXSEFDR.DWG