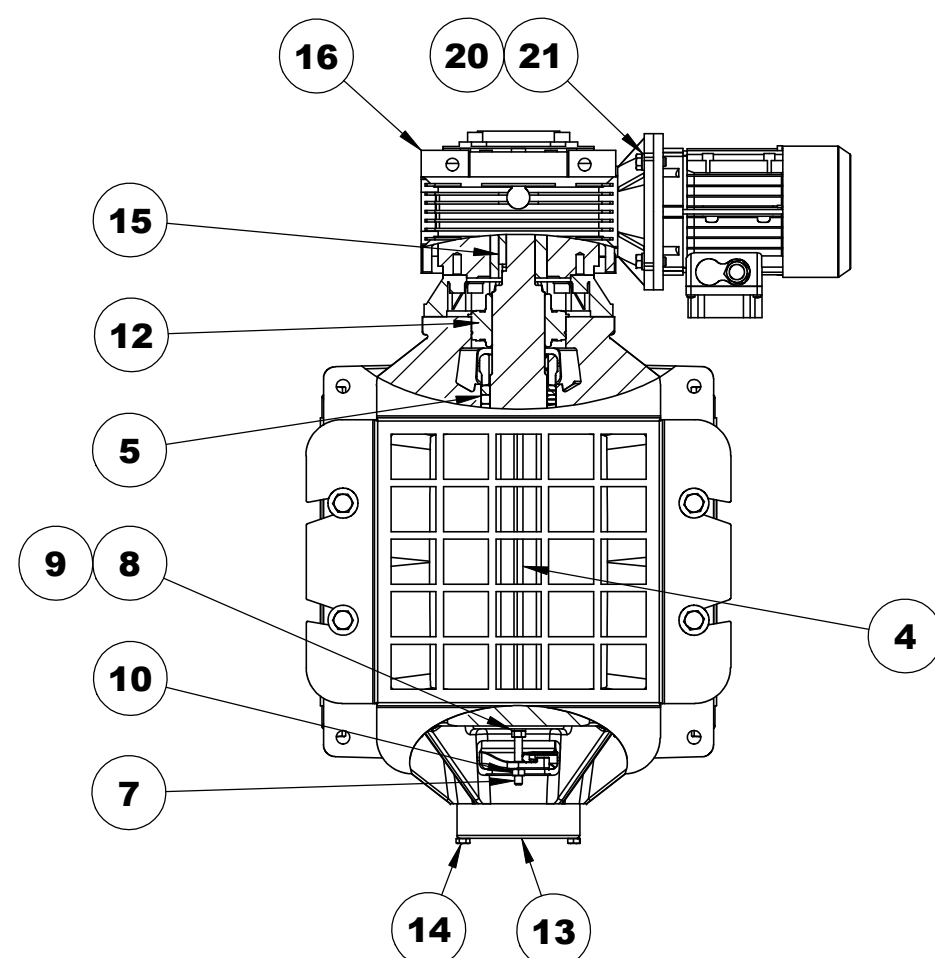
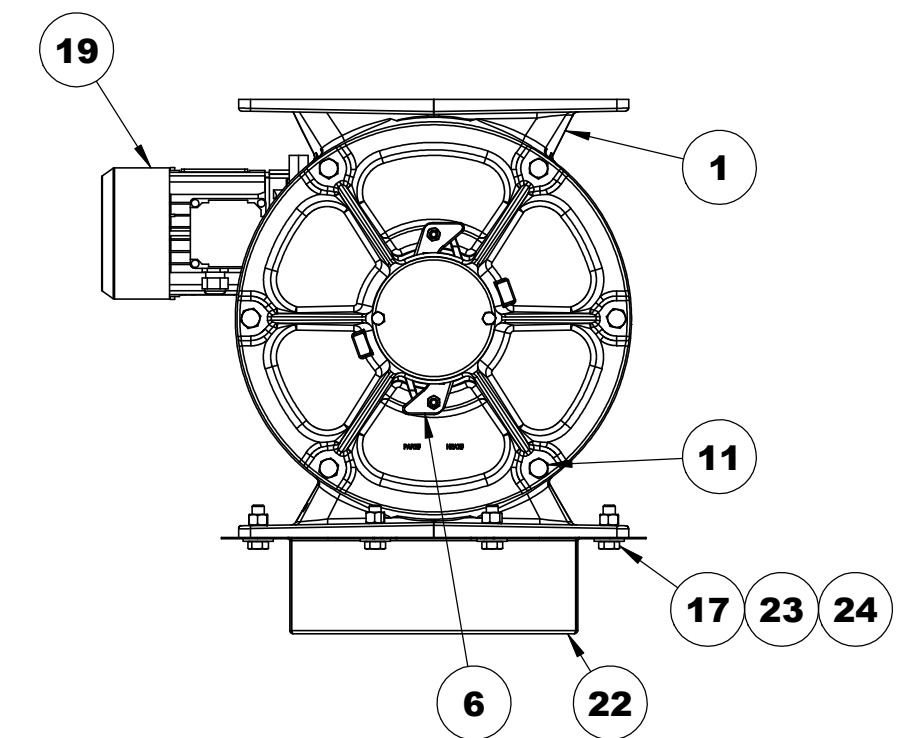
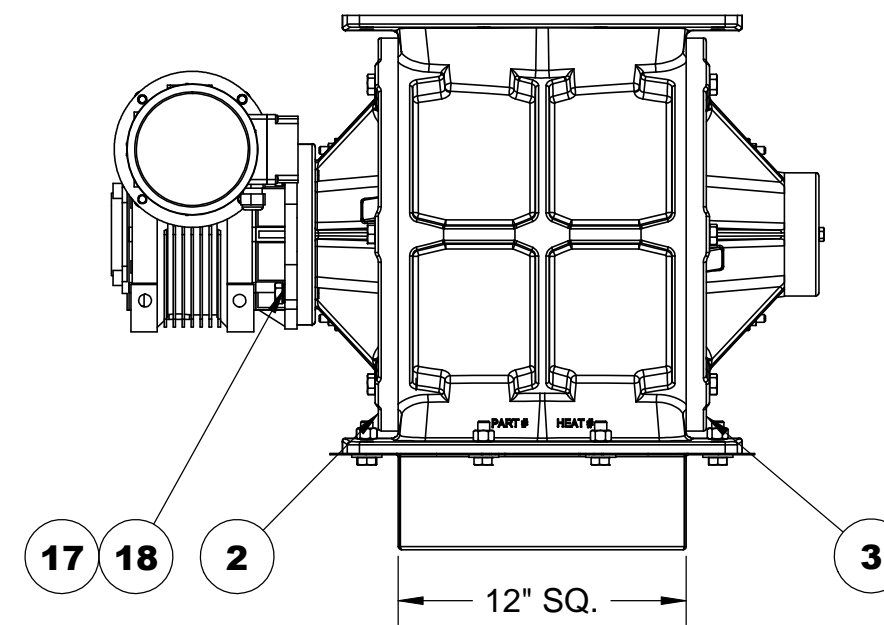
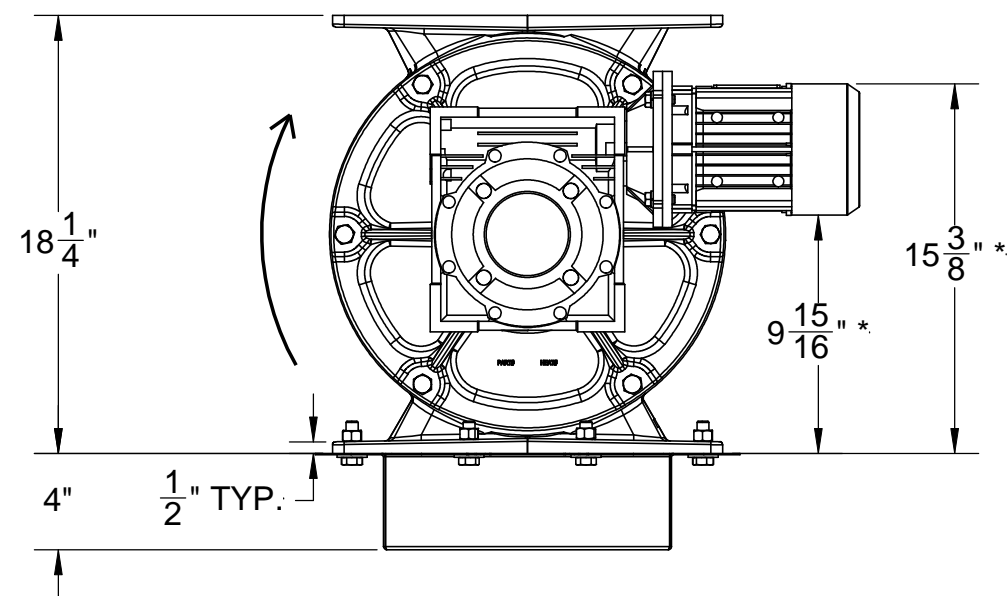


ITEM NO.	PartNo	Description	QTY.
1	440E-H31	12" UDV SQUARE HOUSING, CI	1
2	440E-P31	12" UDV DRIVE HEADPLATE, CI	1
3	440E-P32	12" UDV BLIND HEADPLATE, CI	1
4	440E-RD001-T180	12" DDV ROTOR 8V0EBEV CS	1
5	450BA189	PACKING RING, 3/8" SQ., 2 3/8" ID, ARAMID	6
6	440E-N01	12" UDV PACKING NUT, CS	4
7	450JC079	5/16-18 X 3" STUD SS	4
8	FS	5/16" LOCK WASHER	4
9	FS	5/16-18 HEX NUT	4
10	450JH669	5/16-18 CENTERLOCK HEX LOCKNUT, ZP	4
11	FS	1/2-13 X 1 3/4" HEX HEAD BOLT	12
12	450AA175	BEARING	2
13	440E-C05	12" UDV BE BEARING CAP, AL	1
14	FS	5/16-18 X 1 1/2" HEX HEAD BOLT	2
15	450JP030	.312" x .312" x 4"L, KEYSTOCK, AISI C1018, STEEL.	1
16	450GB668	GEARBOX, 80:1 1 3/8" BORE 56C	1
17	FS	1/2-13 X 1.5" HEX HEAD BOLT	12
18	450JH554	1/2" X 3/4" NORD LOCK WASHER	4
19	450H-1838	1 HP 1800RPM TEFC MOTOR 208-230/460/3 56C	1
20	FS	3/8-16 X 1" HEX HEAD BOLT	4
21	FS	3/8" LOCK WASHER	4
22	430E-2039	12" DISCHARGE GUARD	1
23	FS	1/2" FLAT WASHER	8
24	FS	1/2-13 HEX NUT	8



NOTE:  
1) DESIGN BASED ON 70-180 DEG. F. OPERATING TEMPERATURE.  
2) PAINT STANDARD BLACK ENAMEL.  
3) \* MOTOR DIMENSIONS BASED ON STANDARD MOTOR.

REVISIONS				
REV.	DESCRIPTION	DATE	DB	AP
OUR S.O. #	NAME	DATE		
REF S.O. #	DRAWN BY: SC	7/26/11		
REF DWG.	CHECKED BY:			
	ENG APRV.: GS	1/9/12		
<p><b>Wm. W. Meyer &amp; Sons Inc.</b> LIBERTYVILLE, IL.</p> <p>TITLE: 12" SQUARE DDV ROTARY VALVE, CAST IRON 8 VANE OPEN END BEVELED ROTOR 1 HP, 22 RPM</p>				
<p>PROPRIETARY AND CONFIDENTIAL THE INFORMATION CONTAINED IN THIS DRAWING IS THE SOLE PROPERTY OF Wm. W. Meyer &amp; Sons, Inc. ANY REPRODUCTION IN PART OR AS A WHOLE WITHOUT THE WRITTEN PERMISSION OF Wm. W. Meyer &amp; Sons, Inc. IS PROHIBITED.</p>			<p>DWG. NO. 442E-0001 REV</p>	
PART WEIGHT: 380 LBS		SCALE: 1:8	SHEET: 1 OF 1	