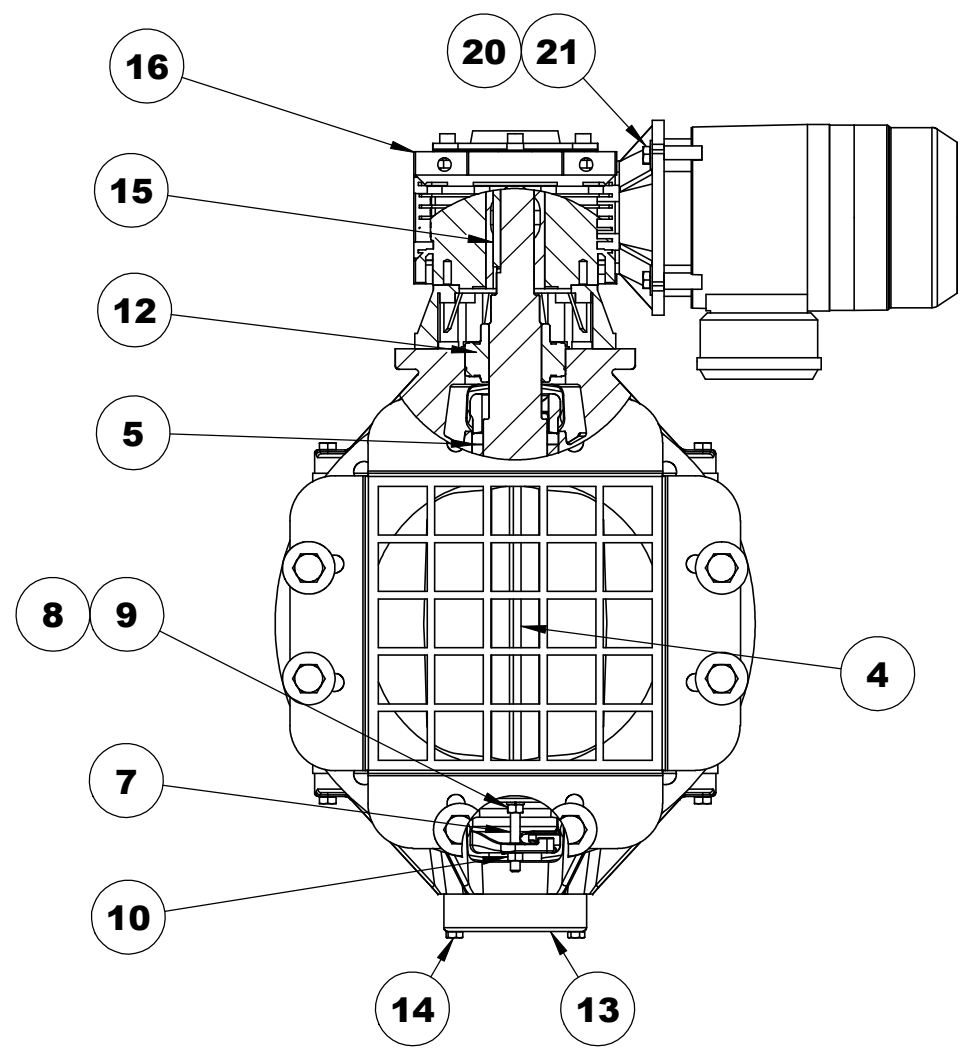
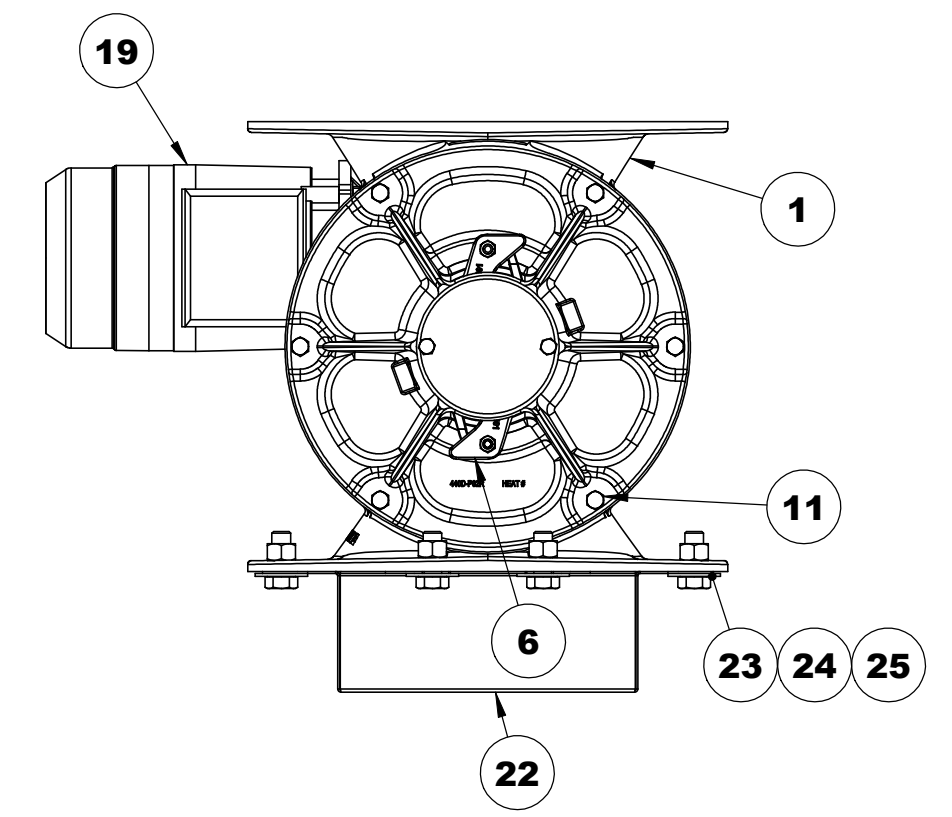
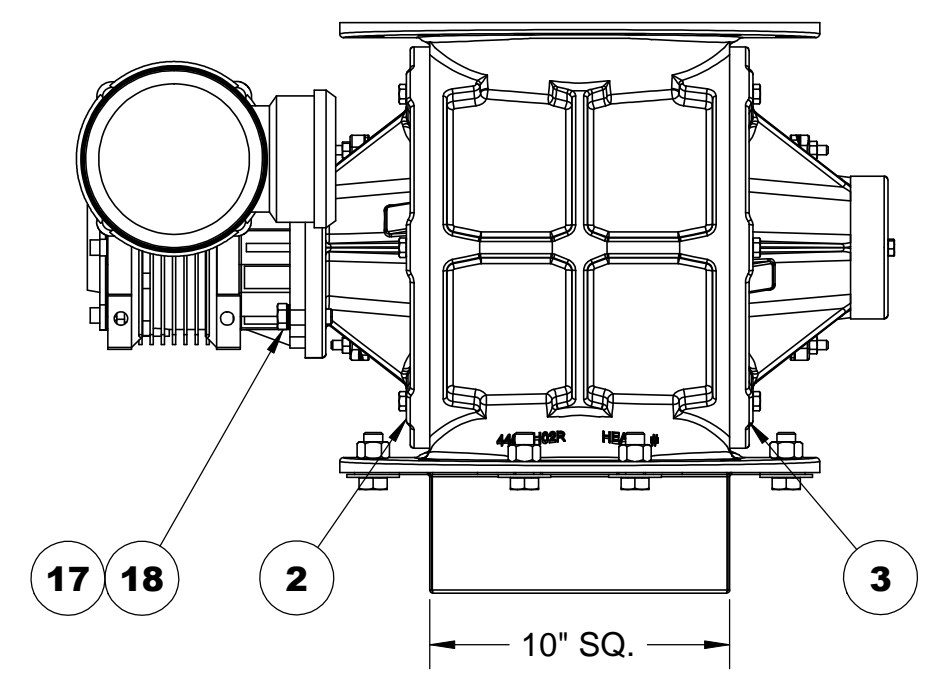
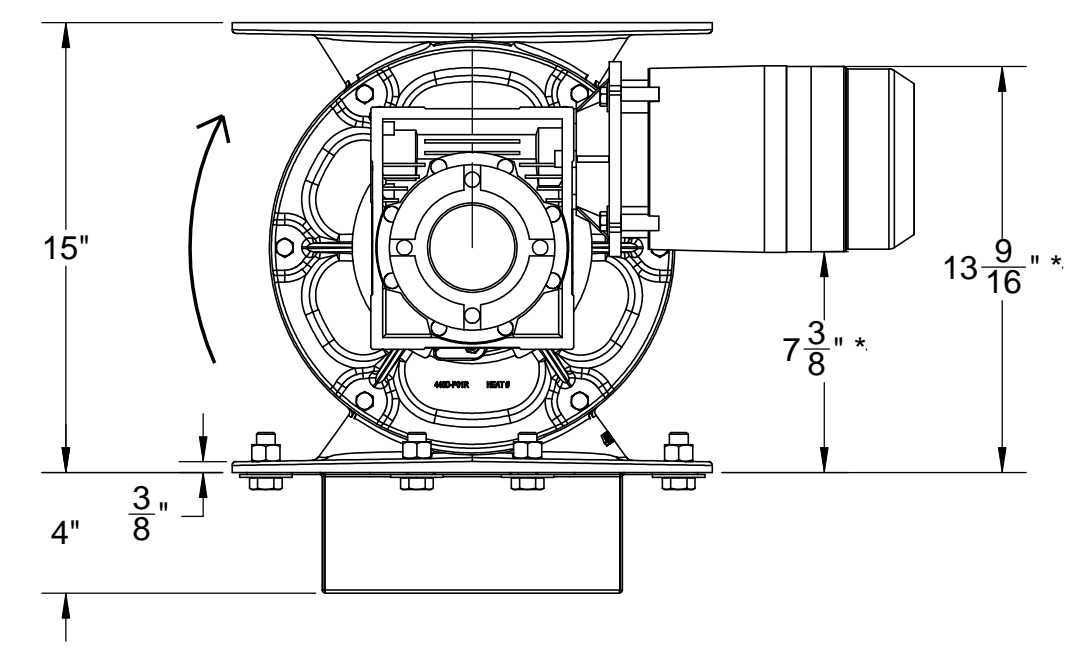
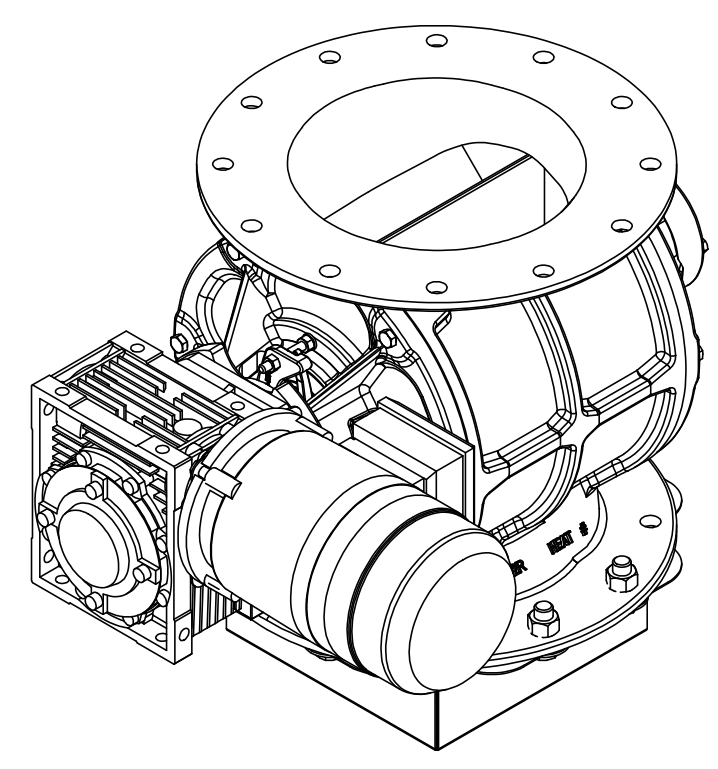
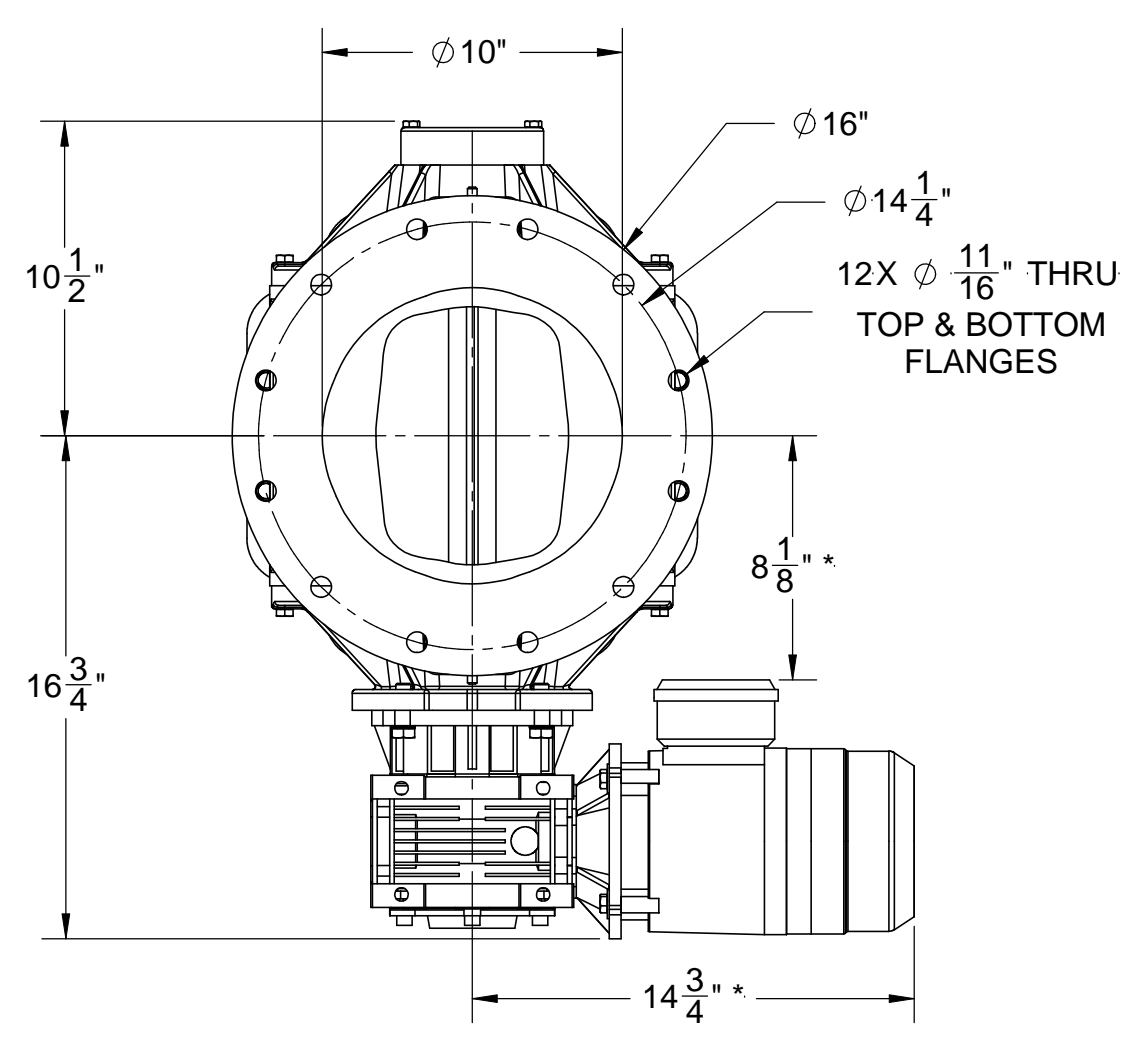


ITEM NO.	PartNo	Description	QTY.
1	440D-H32	10" UDV ROUND HOUSING, CI	1
2	440D-P31	10" UDV DRIVE HEADPLATE, CI	1
3	440D-P32	10" UDV BLIND HEADPLATE, CI	1
4	440D-RD001-T200	10" DDV ROTOR 8VOEBV, CS	1
5	450BA194	3/8" PACKING RING, ARAMID FIBER	6
6	440D-N01	10" UDV PACKING NUT, CS	4
7	450JC079	5/16-18 X 3" STUD SS	4
8	FS	5/16" LOCK WASHER	4
9	FS	5/16-18 HEX NUT	4
10	450JH669	5/16-18 CENTERLOCK HEX LOCKNUT, ZP	4
11	FS	3/8-16 X 1 1/2" HEX HEAD BOLT	12
12	450AA174	BEARING	2
13	440D-C05	10" UDV BE BEARING CAP, AL	1
14	FS	5/16-18 X 1 1/2" HEX HEAD BOLT	2
15	450JP027	.25" x .25" x 3.25"L, KEYSTOCK, CS	1
16	450GB670	GEARBOX, 80:1 1 1/4" BORE 56C	1
17	450JH554	1/2" X 3/4" NORD LOCK WASHER	4
18	FS	1/2-13 X 1.5" HEX HEAD BOLT	4
19	450H-1837	.75 HP 1800RPM TEFC 208-230/460/60/3 56C	1
20	FS	3/8" FLAT WASHER	4
21	FS	3/8-16 X 1" HEX HEAD BOLT	4
22	430D-2323	10" DISCHARGE GUARD	1
23	FS	5/8" FLAT WASHER	8
24	FS	5/8-11 X 1 1/2" HEX HEAD BOLT	8
25	FS	5/8-11 HEX NUT	8



NOTE:
 1) DESIGN BASED ON 70-200 DEG. F. OPERATING TEMPERATURE.
 2) PAINT STANDARD BLACK ENAMEL.
 3) * MOTOR DIMENSIONS BASED ON STANDARD MOTOR.

REVISIONS				
REV.	DESCRIPTION	DATE	DB	AP
OUR S.O. #	-	NAME	DATE	
REF S.O. #	-	DRAWN BY: SC	7/25/11	
REF DWG.	-	CHECKED BY:		
		ENG APRV.: GS	1/6/12	

Wm. W. Meyer & Sons Inc.
LIBERTYVILLE, IL.

TITLE:
10" ROUND DDV ROTARY VALVE, CAST IRON
8 VANE OPEN END BEVELED ROTOR
3/4HP, 22 RPM

DWG. NO. 442D-0013

PART WEIGHT: 250 LBS SCALE: 5:32 SHEET: 1 OF 1

PROPRIETARY AND CONFIDENTIAL
 THE INFORMATION CONTAINED IN THIS DRAWING IS THE SOLE PROPERTY OF Wm. W. Meyer & Sons, Inc. ANY REPRODUCTION IN PART OR AS A WHOLE WITHOUT THE WRITTEN PERMISSION OF Wm. W. Meyer & Sons, Inc. IS PROHIBITED.