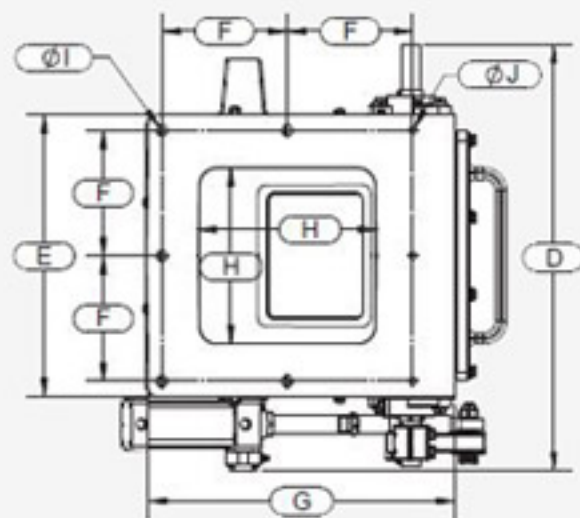
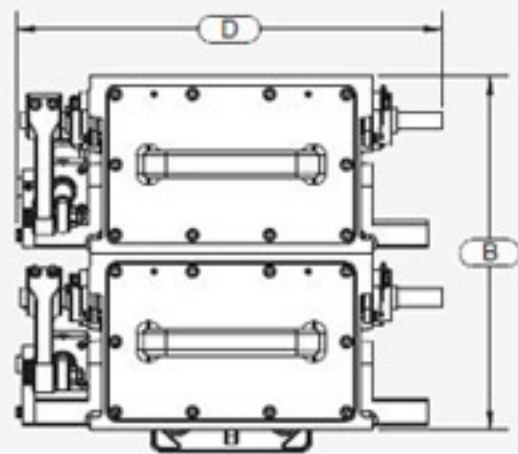


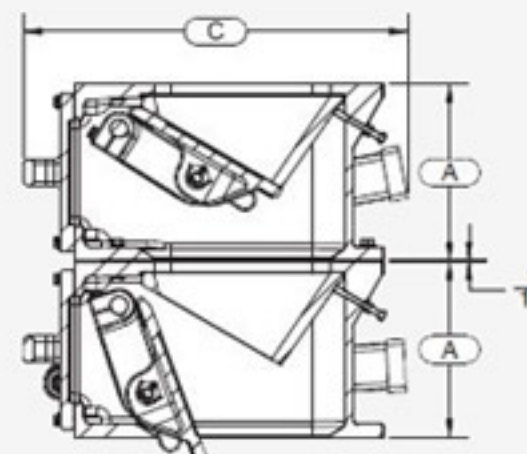
# MPSA DIMENSIONS



Plan View (Top)



Elevation View: Door



Elevation View: Side Internal

Size/Type	CFH*	A	B	C	D	E	F	G	H	I	J
8" MPSA	33	8"	16-1/16"	19-13/16"	21-13/16"	13-1/2"	5-7/8"	15"	8"	5/8"Ø	1/2"-13
10" MPSA	70	10"	20-5/8"	20-5/8"	24"	16"	7-1/8"	20-7/16"	10"	5/8"Ø	1/2"-13
12" MPSA	110	12"	24-1/16"	27-1/16"	28-3/4"	20-1/4"	8-7/8"	21-3/4"	12"	5/8"Ø	1/2"-13