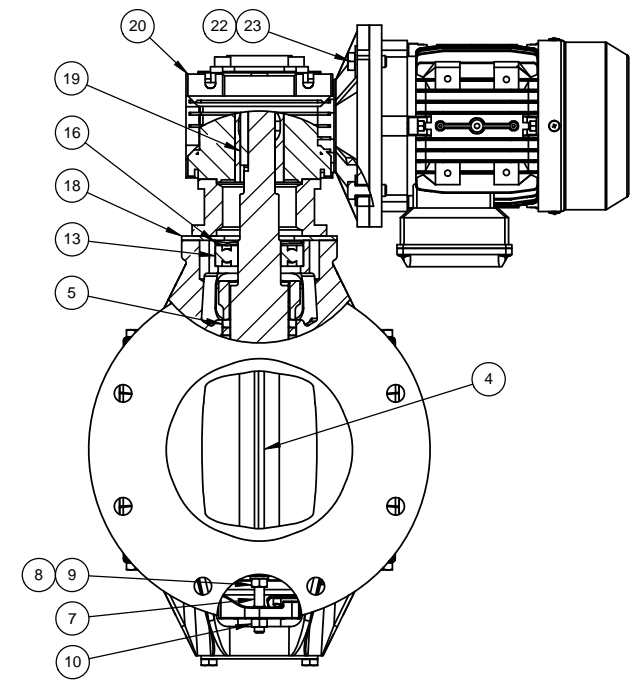
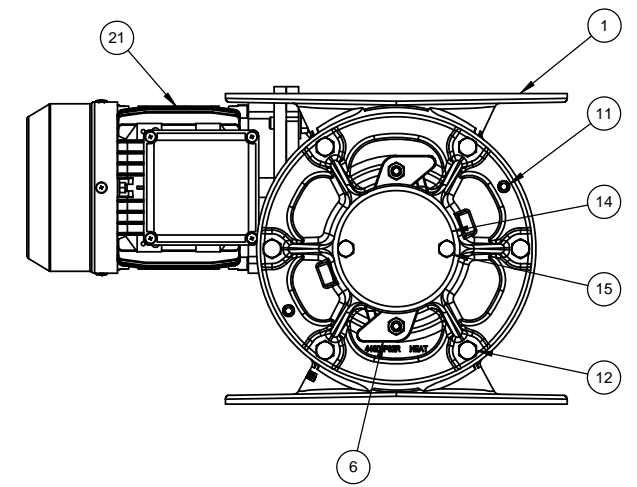
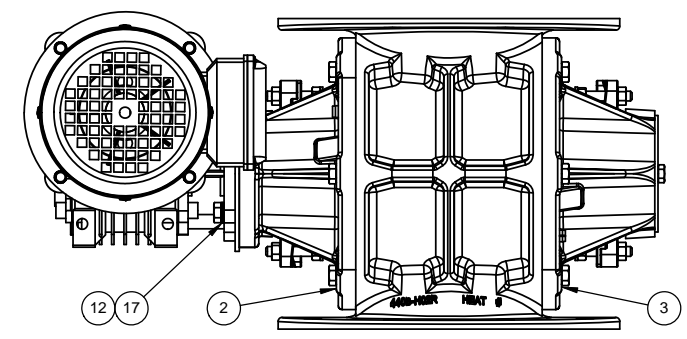
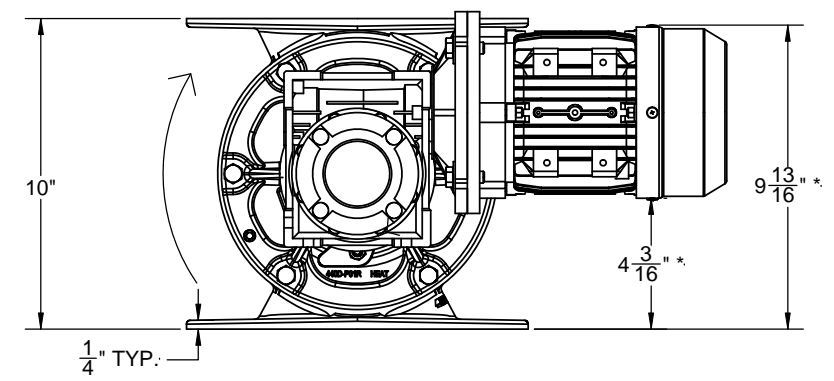


ITEM NO.	PartNo	Description	QTY.
1	440B-H02	6" UDV ROUND HOUSING, CI	1
2	440B-P01	6" UDV DRIVE HEADPLATE, CI	1
3	440B-P02	6" UDV BLIND HEADPLATE, CI	1
4	440B-R201	6" DDV ROTOR 8VOEBV, CS	1
5	450BA188	1/4" PACKING RING, ARAMID FIBER	6
6	440C-N01	6" & 8" UDV PACKING NUT, CS	4
7	450JC074	5/16-18 X 2 1/2" STUD ZP	4
8	FS	5/16" LOCK WASHER	4
9	FS	5/16-18 HEX NUT	4
10	450JH669	5/16-18 CENTERLOCK HEX LOCKNUT, ZP	4
11	450JH670	3/8" X 1" ROLL PIN	4
12	FS	3/8-16 X 1.25" HEX HEAD BOLT	16
13	450AA169	SEALED BALL BEARING	2
14	440C-C01	6" & 8" UDV BLIND END BEARING CAP, CS	1
15	FS	5/16-18 X 1/2" HEX HEAD BOLT	2
16	450JO030	WAVE SPRING 2.875 OD X .093 WIRE	1
17	450JH553	3/8" X 5/8" NORD LOCK WASHER	4
18	440B-C02	6 DDV BEARING RETAINER, CS	1
19	450JP024	1/4" X 1/4" X 2 1/4" KEY, CS	1
20	450GB678	GEARBOX, NMRV050 80:1 56C 1" BORE	1
21	450H-1835	1/3 HP 1800 RPM TEFC MOTOR 56C 208-230/460-60-3	1
22	FS	3/8" FLAT WASHER	4
23	FS	3/8-16 X 1" HEX HEAD BOLT	4



NOTE:  
 1) DESIGN BASED ON 70 DEG. F. OPERATING TEMPERATURE.  
 2) PAINT STANDARD BLACK ENAMEL.  
 3) \* MOTOR DIMENSIONS BASED ON STANDARD MOTOR.

REVISIONS				
REV.	DESCRIPTION	DATE	DB	AP
A	Production Release.	11/11/2010	GS	

OUR S.O. #	-	NAME	DATE	<b>Wm. W. Meyer &amp; Sons Inc.</b> LIBERTYVILLE, IL.
REF S.O. #	274425	DRAWN BY:	GS 11-5-10	
REF DWG.	-	CHECKED BY:		
		ENG APRV.:	TM 11-5-10	

PROPRIETARY AND CONFIDENTIAL THE INFORMATION CONTAINED IN THIS DRAWING IS THE SOLE PROPERTY OF Wm. W. Meyer & Sons, Inc. ANY REPRODUCTION IN PART OR AS A WHOLE WITHOUT THE WRITTEN PERMISSION OF Wm. W. Meyer & Sons, Inc. IS PROHIBITED.		DWG. NO. <b>440B-0104</b>	REV <b>A</b>
PART WEIGHT: 114.27 LBS	SCALE: 1:4	SHEET: 1 OF 1	