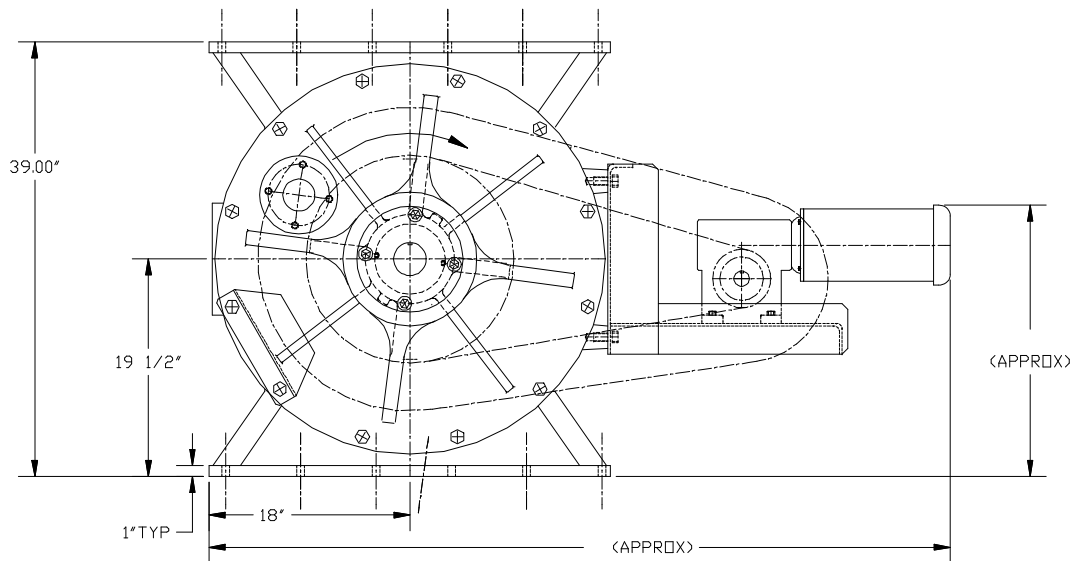


DATA FOR NORMAL SERVICE APPLICATIONS			
MOTOR HP	FEEDER RPM	A	B
2	7 THRU 8	62-3/4"	27-5/8"
3	9 THRU 13	67-3/8"	30"
5	14 THRU 22	69-1/8"	30"

NOTES:

1. ALL MOTORS: 3-60-230/460
2. INFORMATION IS BASED UPON CATALOG DATA. THIS INFORMATION MUST BE USED IN CONJUNCTION WITH, AND NOT IN SUBSTITUTION FOR, THE APPLICABLE PRODUCT CATALOG WHICH CONTAINS IMPORTANT PRECAUTIONS AND OTHER PERTINENT INFORMATION.



EST. WT. = 3200 LBS

B	10-20-04	UPDATED MODEL NAME	SA
A	9-21-99	UPDATE PLANDGRAPH	GJL
REVISIONS			
WM. W. MEYER & SONS, INC. SKOKIE, ILLINOIS			
30X30 HDX FEEDER ASSEMBLY W/TYPICAL RECOMMENDED GEARMOTORS			
OUR S.O. NO.		REF. S.O. NO.	
DRAWN	TAD	DATE 10-25-88	DRAWING NUMBER
APPROVED	CJ	SCALE 1/8	430V-047

M:\RAL\30X30HDX\FDR.DWG