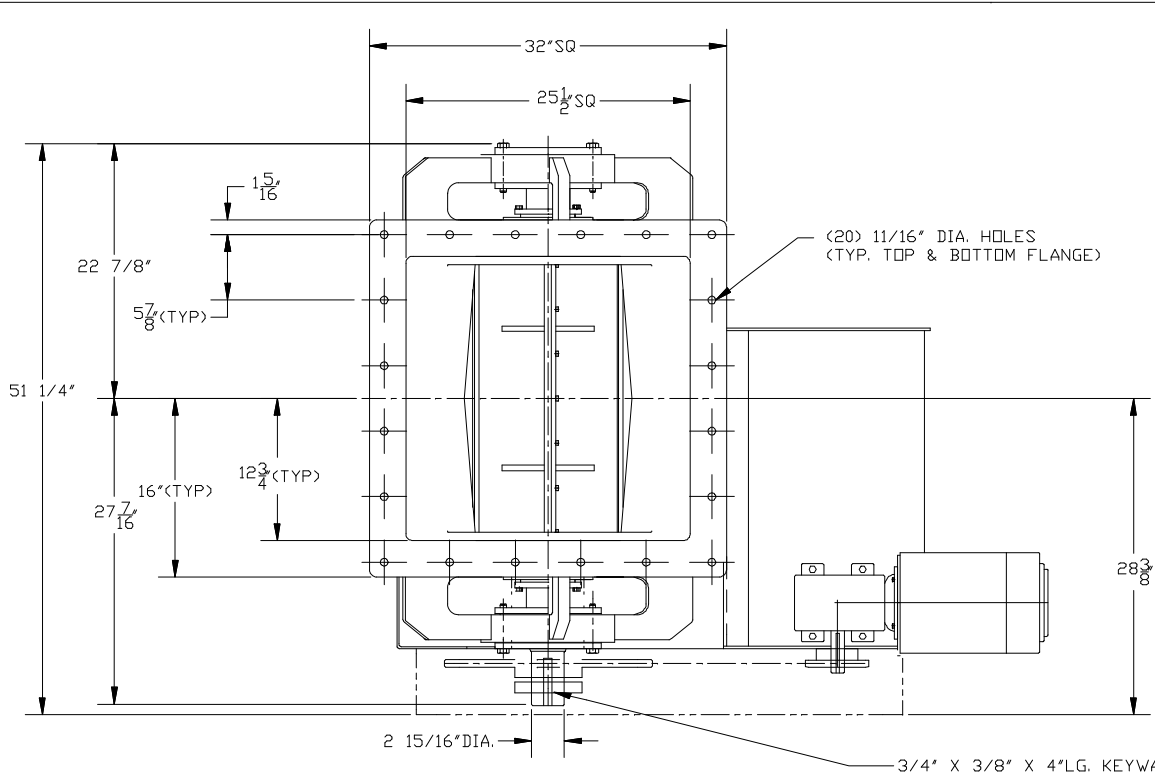
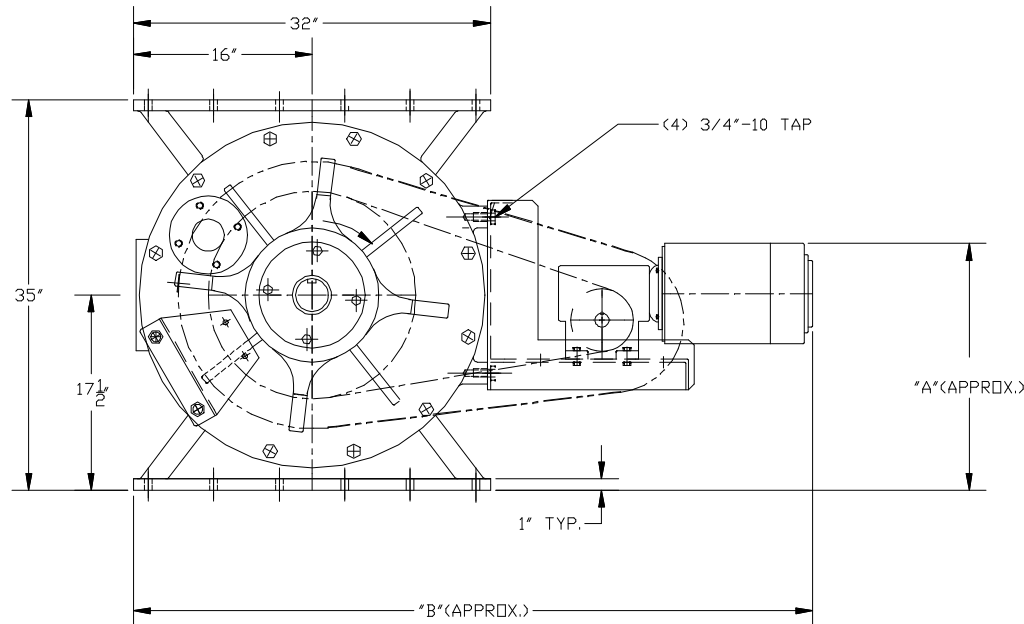


ROTOR	CFR	CAPACITIES IN CUBIC FEET PER MINUTE						
		5 RPM	10 RPM	15 RPM	20 RPM	25 RPM	30 RPM	35 RPM
6 VANE	7.300	36.50	73.00	109.50	146.00	182.50	219.00	255.50
8 VANE	7.000	35.00	70.00	105.00	140.00	175.00	210.00	245.00

DATA FOR NORMAL SERVICE APPLICATION			
MOTOR HP	FEEDER RPM	A	B
2	7 THRU 9	25"	60"
3	10 THRU 13	26 5/8"	62-7/8"
5	14 THRU 22	26 5/8"	62 7/8"



NOTES:
 1) ALL MOTORS: 3-60-230/460
 2) INFORMATION IS BASED UPON CATALOG DATA.
 THIS INFORMATION MUST BE USED IN CONJUNCTION WITH,
 AND NOT IN SUBSTITUTION FOR, THE APPLICABLE
 PRODUCT CATALOG WHICH CONTAINS IMPORTANT
 PRECAUTIONS AND OTHER PERTINENT INFORMATION.



REV	DATE	DESCRIPTION	BY
D	10-20-04	UPDATED MODEL NAME	SA
C	06-19-01	UPDATED PICTURE/UPDATED INFO FOR NORMAL SERVICE	LW
B	9-21-99	UPDATED HDPLTS, NORM SVC APPS	GJL
A	07-30-97	ADDED DIMENSIONS	VK

REVISIONS		
WM. W. MEYER & SONS, INC. SKOKIE, ILLINOIS		
26 X 26 HDX SQ FLANGE FEEDER ASSEMBLY WITH TYPICAL RECOMMENDED GEARMOTOR		
OUR S.D. NO.	REF. S.D. NO.	
DRAWN JM	DATE 10-30-96	DRAWING NUMBER
APPROVED MRD	SCALE 1/8"	430T-083

SK-195E

M:\RAL\26X26HDXSFDR.DWG