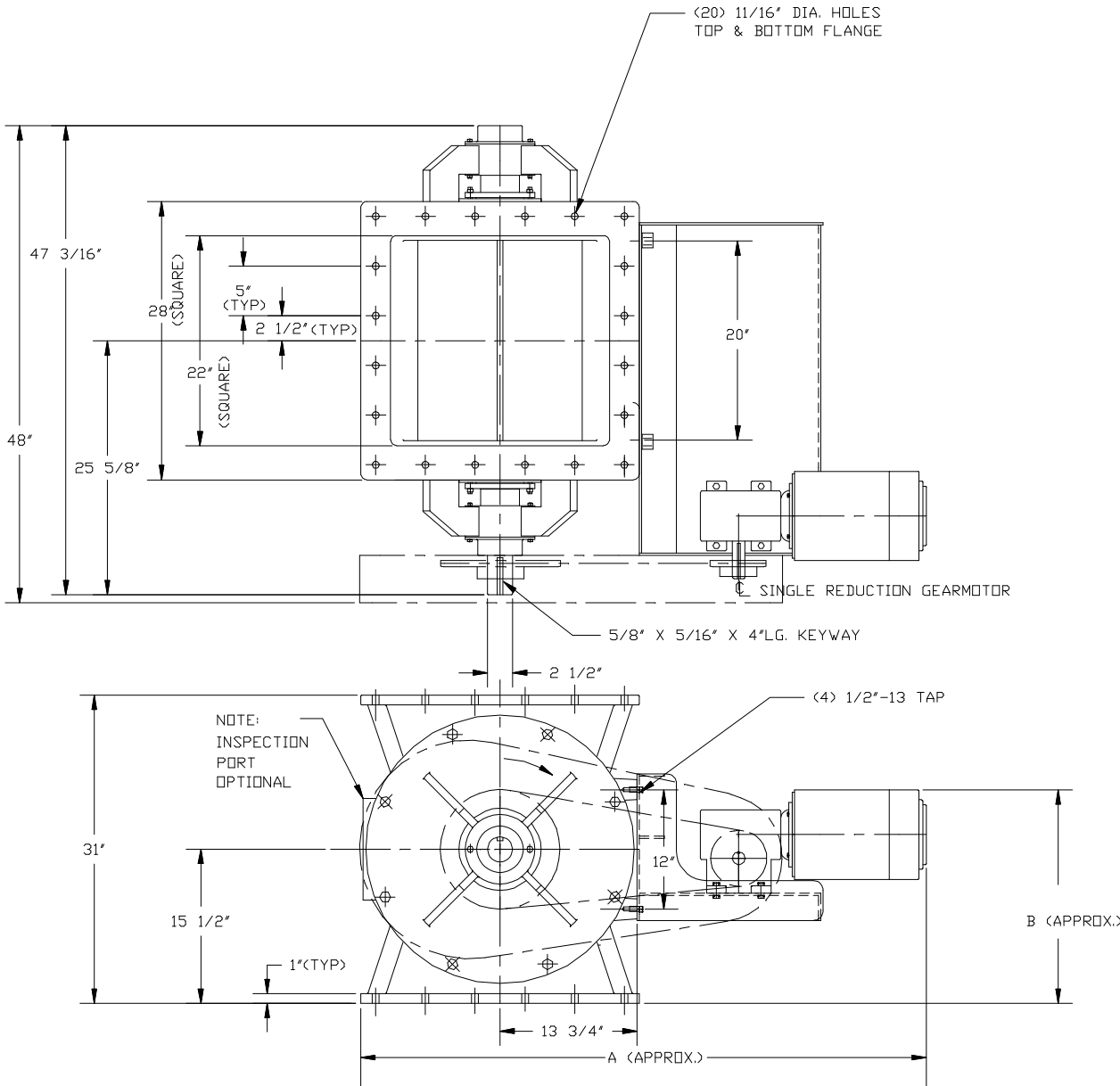


CAPACITIES IN CUBIC FEET PER MINUTE						
SIZE	ROTOR	CFR	5 RPM	10 RPM	15 RPM	20 RPM
22X22	6V	4.34	21.70	43.40	65.10	86.80
	8V	4.20	21.00	42.00	63.00	84.00

DATA FOR NORMAL SERVICE APPLICATIONS			
MOTOR HP	FEEDER RPM	A	B
1 1/2 TEFC	7 THU 9	55 7/8	23 5/8
2 TEFC	10 THU 14	55 7/8	23 5/8
3 TEFC	15 THU 22	59 1/4	24 7/8

DATA FOR SEVERE SERVICE APPLICATIONS			
MOTOR HP	FEEDER RPM	A	B
2 TEFC	7 THRU 8	56 3/4	25 1/8
3 TEFC	9 THRU 13	60 1/16	26
5 TEFC	14 THRU 22	60 1/16	26



NOTES:  
 1) ALL MOTORS: 3-60-230/460  
 2) INFORMATION IS BASED UPON CATALOG DATA. THIS INFORMATION MUST BE USED IN CONJUNCTION WITH, AND NOT IN SUBSTITUTION FOR, THE APPLICABLE PRODUCT CATALOG WHICH CONTAINS IMPORTANT PRECAUTIONS AND OTHER PERTINENT INFORMATION

B	10-20-04	UPDATED MODEL NAME	SA
A	04-23-99	REDRAWN ON CAD	LM
REVISIONS			
WM. W. MEYER & SONS, INC. SKOKIE, ILLINOIS			
22X22 HDX SQ FLANGE FEEDER ASSEMBLY WITH TYPICAL RECOMMENDED GEARMOTORS			
OUR S.O. NO.		REF. S.O. NO.	
DRAWN	TAD	DATE 10-25-88	DRAWING NUMBER
APPROVED	MRD	SCALE 1/8"	430U-275

430U-496

M:\RAL\22X22HDXSFDR.DWG