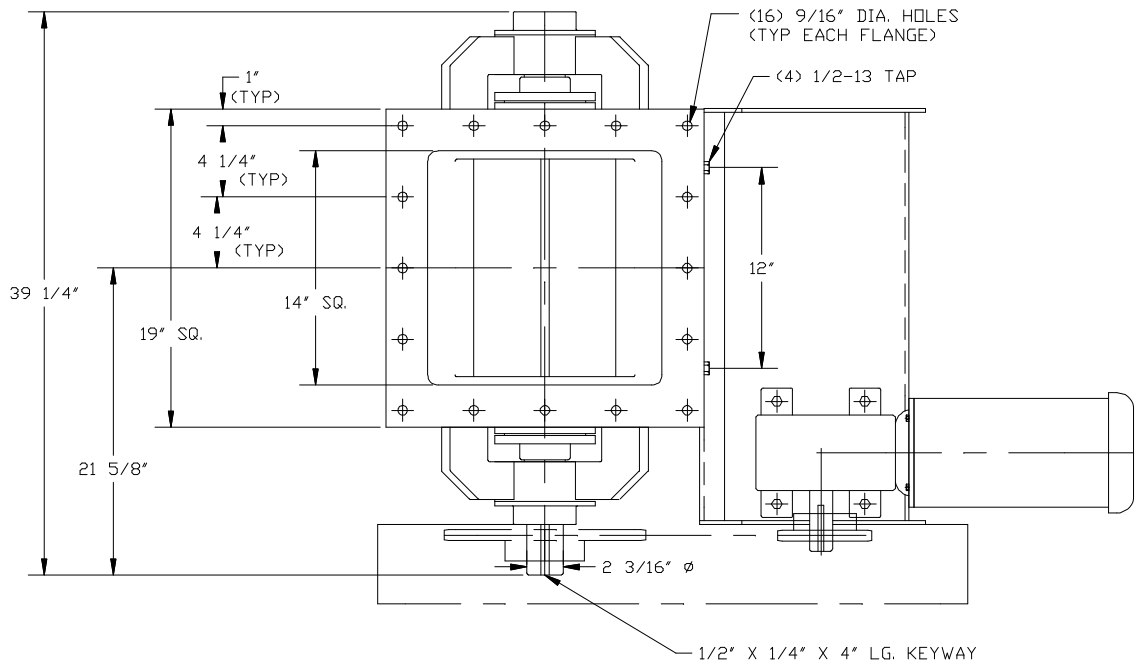


ROTOR	CFR	CAPACITIES IN CUBIC FEET PER MINUTE				
		5 RPM	10 RPM	15 RPM	20 RPM	25 RPM
6 VANE	1.12	5.60	11.20	16.80	22.40	28.00
8 VANE	1.08	5.40	10.80	16.20	21.60	27.00

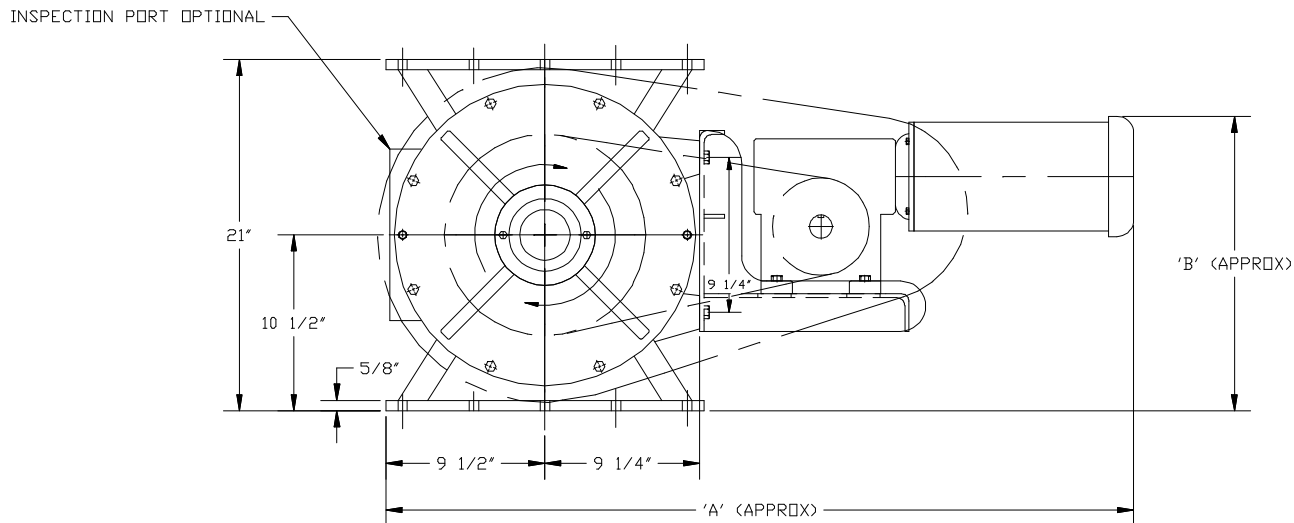


DATA FOR NORMAL SERVICE APPLICATIONS			
MOTOR HP	FEEDER RPM	A	B
1 TEFC	7 THRU 9	40 5/8	17 3/8
1 1/2 TEFC	10 THRU 14	40 7/8	17 3/8
2 TEFC	15 THRU 22	40 7/8	17 3/8
3 TEFC	23 THRU 35	45	18 5/8

DATA FOR SEVERE SERVICE APPLICATIONS			
MOTOR HP	FEEDER RPM	A	B
1 1/2 TEFC	7 THRU 9	44	18 3/4
2 TEFC	10 THRU 14	44	18 3/4
3 TEFC	15 THRU 22	48	20

NOTES:

- ALL MOTORS: 3-60-230/460
- INFORMATION IS BASED UPON CATALOG DATA. THIS INFORMATION MUST BE USED IN CONJUNCTION WITH, AND NOT IN SUBSTITUTION FOR, THE APPLICABLE PRODUCT CATALOG WHICH CONTAINS IMPORTANT PRECAUTIONS AND OTHER PERTINENT INFORMATION.



B	10-19-04	UPDATED MODEL NAME	SA
A	11-3-92	REDRAWN ON CAD	TD
REVISIONS			
WM. W. MEYER & SONS, INC.			
SKOKIE, ILLINOIS			
14 X 14 HDX SQUARE FLANGE FEEDER ASSEMBLY WITH TYPICAL RECOMMENDED GEARMOTORS			
OUR S.D. NO.		REF. S.D. NO.	
DRAWN	TAD	DATE 10-21-88	DRAWING NUMBER
APPROVED	SCALE 3/16"	430K-405	

M:\RAL\14X14HDXSFDR.DWG