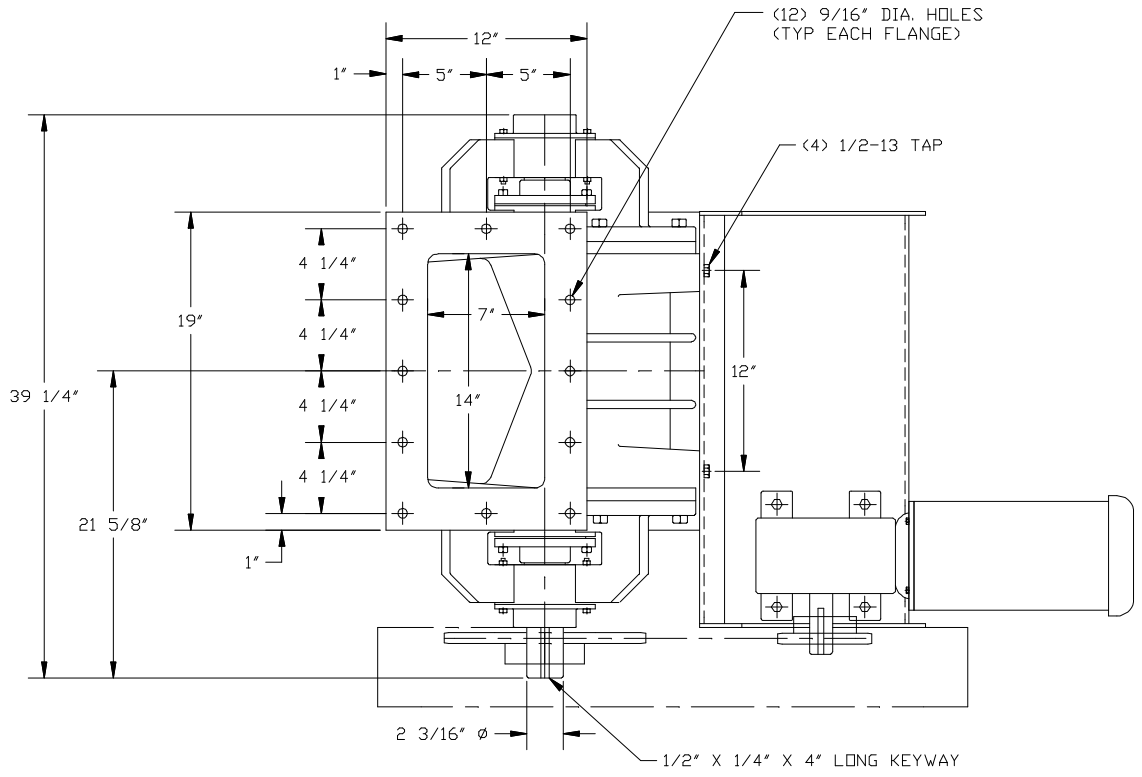


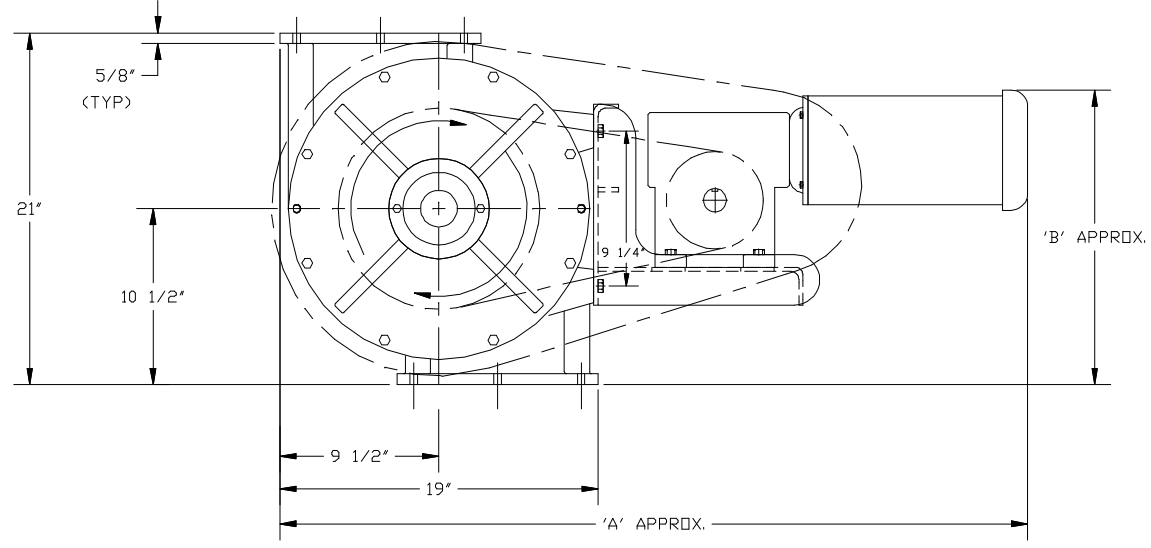
ROTOR	CFR	CAPACITIES IN CUBIC FEET PER MINUTE				
		5 RPM	10 RPM	15 RPM	20 RPM	25 RPM
6 VANE	1.12	5.60	11.20	16.80	22.40	28.00
8 VANE	1.08	5.40	10.80	16.20	21.60	27.00

DATA FOR NORMAL SERVICE APPLICATIONS				
MOTOR HP	FEEDER RPM	A	B	
1 TEFC	7 THRU 9	40 5/8	17 3/8	
1 1/2 TEFC	10 THRU 14	40 7/8	17 3/8	
2 TEFC	15 THRU 22	40 7/8	17 3/8	
3 TEFC	23 THRU 35	45	18 5/8	

DATA FOR SEVERE SERVICE APPLICATIONS				
MOTOR HP	FEEDER RPM	A	B	
1 1/2 TEFC	7 THRU 9	44	18 3/4	
2 TEFC	10 THRU 14	44	18 3/4	
3 TEFC	15 THRU 22	48	20	



NOTES:
 1. ALL MOTORS: 3-60-230/460
 2. INFORMATION IS BASED UPON CATALOG DATA. THIS INFORMATION MUST BE USED IN CONJUNCTION WITH, AND NOT IN SUBSTITUTION FOR, THE APPLICABLE PRODUCT CATALOG WHICH CONTAINS IMPORTANT PRECAUTIONS AND OTHER PERTINENT INFORMATION.



REVISIONS			
B	10-19-04	UPDATED MODEL NAME	SA
A	5-24-94	REDRAWN ON CAD	TD
WM. W. MEYER & SONS, INC. SKOKIE, ILLINOIS			
14X14 HDX SIDE ENTRY FEEDER ASSEMBLY WITH TYPICAL RECOMMENDED GEARMOTORS			
OUR S.D. NO.		REF. S.D. NO.	
DRAWN	DRP	DATE	DRAWING NUMBER
APPROVED	SCALE	4-5-89	430K-428
		3/16"	

M:\R\14X14HDXSEFDR.DWG