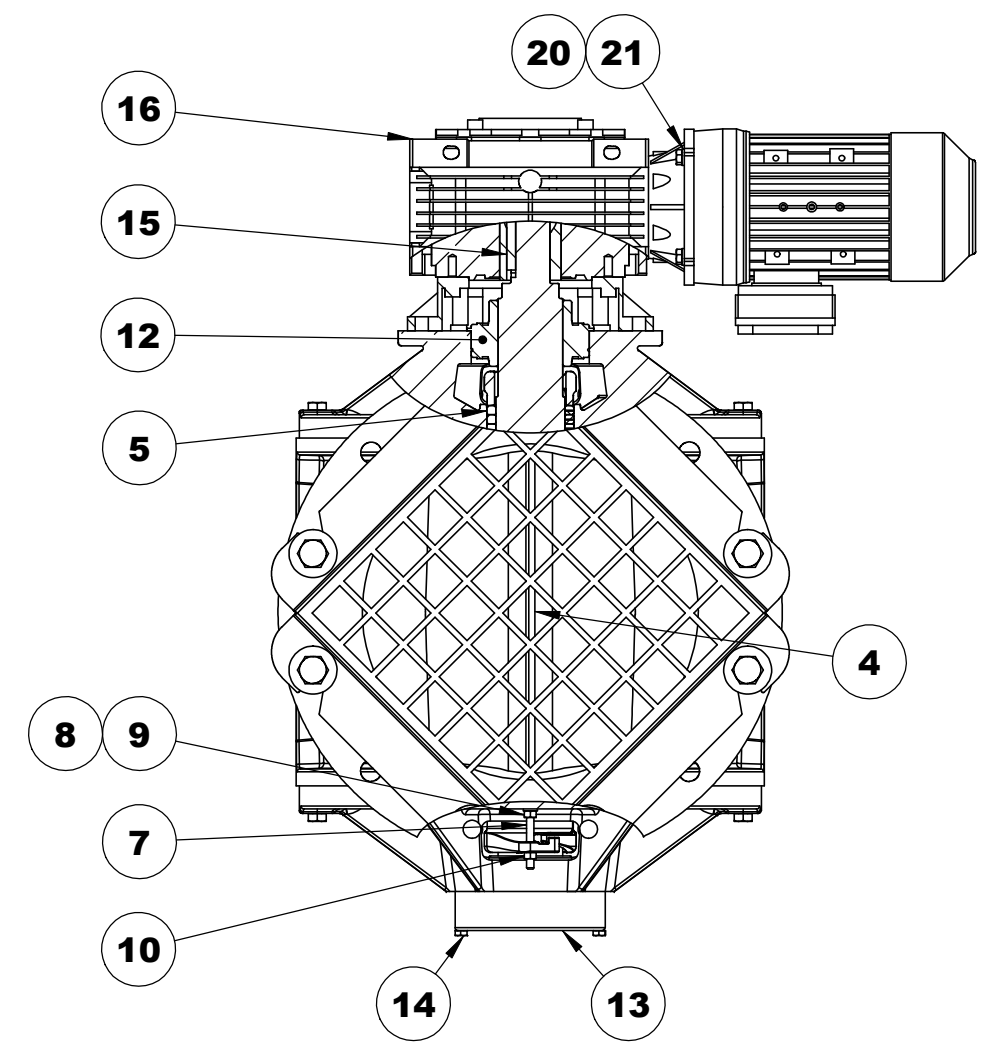
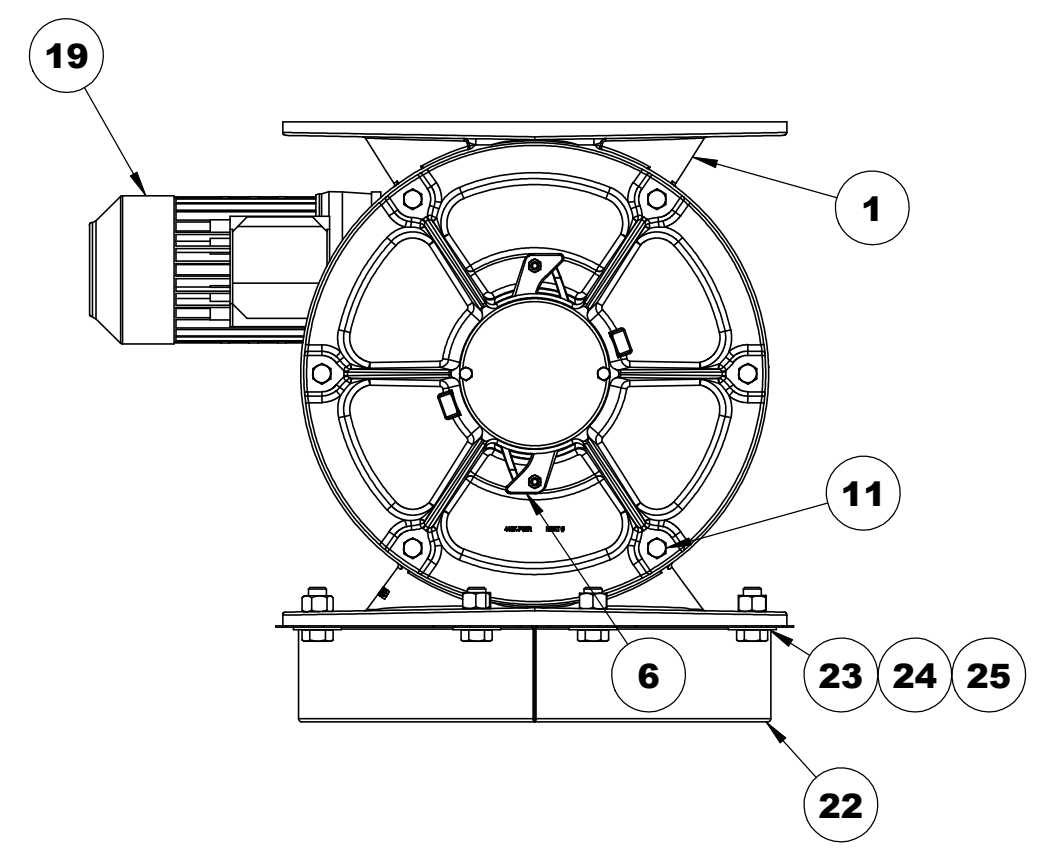
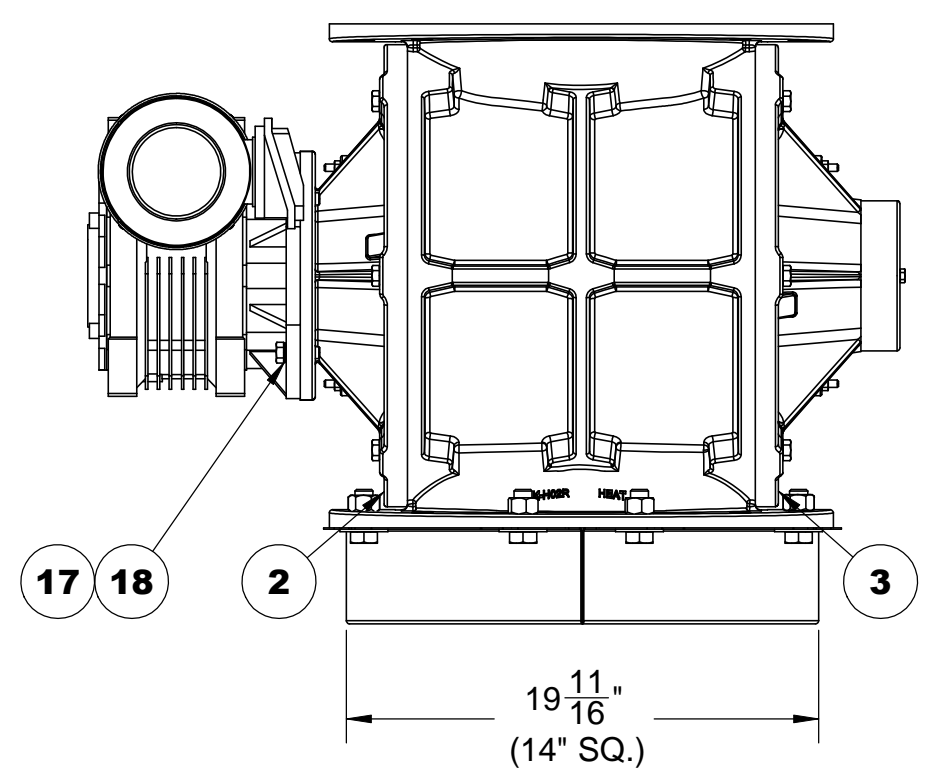
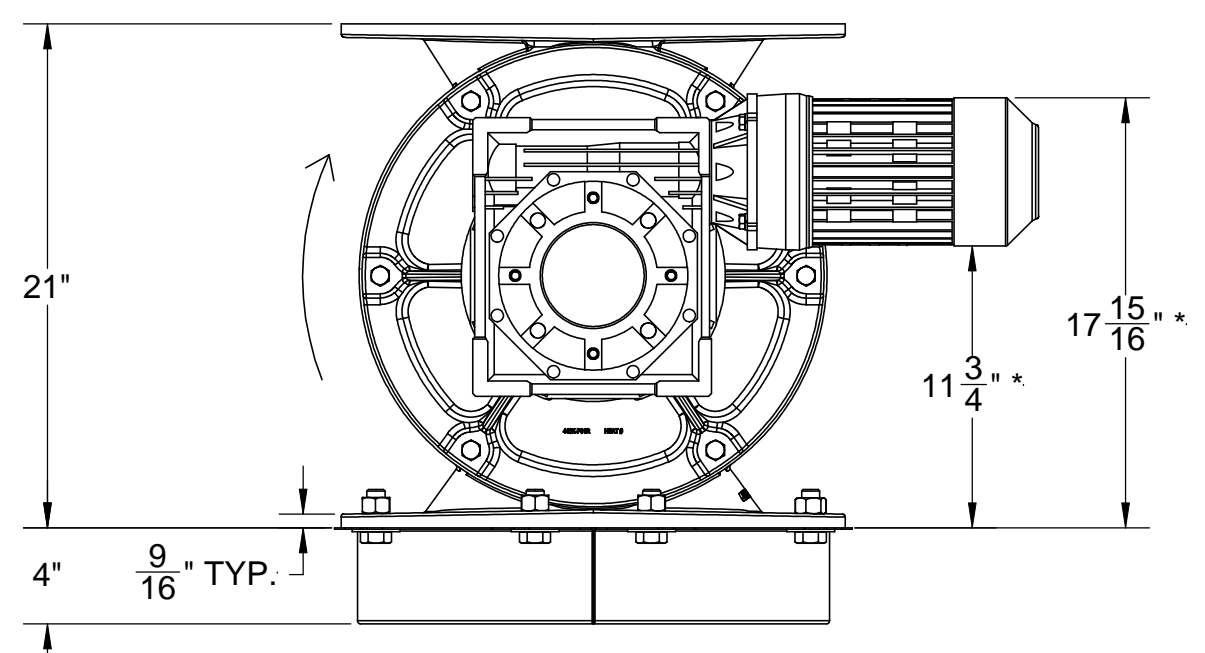


| ITEM NO. | PartNo          | Description                               | QTY. |
|----------|-----------------|---|------|
| 1        | 440K-H32        | 14" UDV ROUND HOUSING, CI                 | 1    |
| 2        | 440K-P31        | 14" UDV DRIVE HEADPLATE, CI               | 1    |
| 3        | 440K-P32        | 14" UDV BLIND HEADPLATE, CI               | 1    |
| 4        | 440K-RD001-T160 | 14" DDV ROTOR 8V OEBV, CS                 | 1    |
| 5        | 450BA196        | PACKING RING, 3/8" SQ., 2 7/8" ID, ARAMID | 6    |
| 6        | 440K-N01        | 14" UDV PACKING NUT, CS                   | 4    |
| 7        | 450JC079        | 5/16-18 X 3" STUD SS                      | 4    |
| 8        | FS              | 5/16" LOCK WASHER                         | 4    |
| 9        | FS              | 5/16-18 HEX NUT                           | 4    |
| 10       | 450JH669        | 5/16-18 CENTERLOCK HEX LOCKNUT, ZP        | 4    |
| 11       | FS              | 1/2-13 X 1 3/4" HEX HEAD BOLT             | 12   |
| 12       | 450AA006        | BEARING                                   | 2    |
| 13       | 440K-C05        | 14" UDV BE BEARING CAP, AL                | 1    |
| 14       | FS              | 5/16-18 X 1 3/4" HEX HEAD BOLT            | 2    |
| 15       | 450JP031        | .375" x .375" x 5"L, KEY, CS              | 1    |
| 16       | 450GB680        | GEARBOX, 80:1 1.625 BORE 140TC            | 1    |
| 17       | FS              | 1/2-13 X 1.5" HEX HEAD BOLT               | 4    |
| 18       | 450JH554        | 1/2" X 3/4" NORD LOCK WASHER              | 4    |
| 19       | 450H-1840       | 2 HP 1800RPM TEFC 208-230/460-60-3 145TC  | 1    |
| 20       | FS              | 3/8-16 X 1" HEX HEAD BOLT                 | 4    |
| 21       | FS              | 3/8" LOCK WASHER                          | 4    |
| 22       | 430K-1051       | 14" DISCHARGE GUARD                       | 1    |
| 23       | FS              | 3/4" FLAT WASHER                          | 8    |
| 24       | FS              | 3/4-10 X 1 3/4" HEX HEAD BOLT             | 8    |
| 25       | FS              | 3/4-10 HEX NUT                            | 8    |



NOTE:  
 1) DESIGN BASED ON 70-160 DEG. F. OPERATING TEMPERATURE.  
 2) PAINT STANDARD BLACK ENAMEL.  
 3) \* MOTOR DIMENSIONS BASED ON STANDARD MOTOR.

| REVISIONS  |               |         |    |    |
|------------|---------------|---------|----|----|
| REV.       | DESCRIPTION   | DATE    | DB | AP |
| OUR S.O. # | NAME          | DATE    |    |    |
| REF S.O. # | DRAWN BY: SC  | 7/26/11 |    |    |
| REF DWG.   | CHECKED BY:   |         |    |    |
|            | ENG APRV.: GS | 1/9/12  |    |    |

**Wm. W. Meyer & Sons Inc.**  
LIBERTYVILLE, IL.

TITLE:  
 14" ROUND DDV ROTARY VALVE, CAST IRON  
 8 VANE OPEN END MILD STEEL BEVELED ROTOR  
 2 HP, 22 RPM

|                      |            |               |
|----------------------|------------|---------------|
| DWG. NO.             | 442K-0013  | REV           |
| PART WEIGHT: 586 LBS | SCALE: 1:8 | SHEET: 1 OF 1 |

**PROPRIETARY AND CONFIDENTIAL**  
 THE INFORMATION CONTAINED IN THIS  
 DRAWING IS THE SOLE PROPERTY OF  
 Wm. W. Meyer & Sons, Inc. ANY  
 REPRODUCTION IN PART OR AS A WHOLE  
 WITHOUT THE WRITTEN PERMISSION OF  
 Wm. W. Meyer & Sons, Inc. IS PROHIBITED.