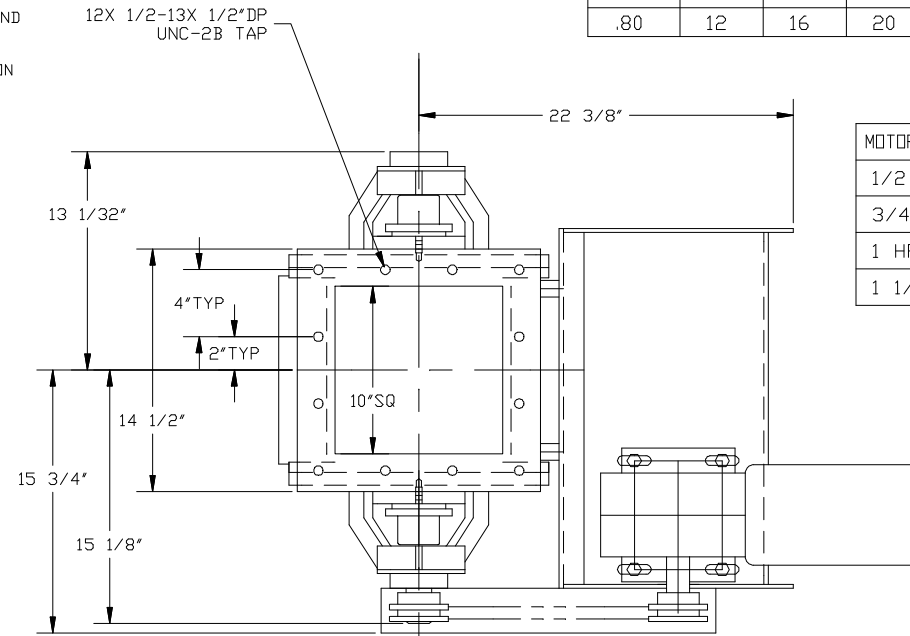


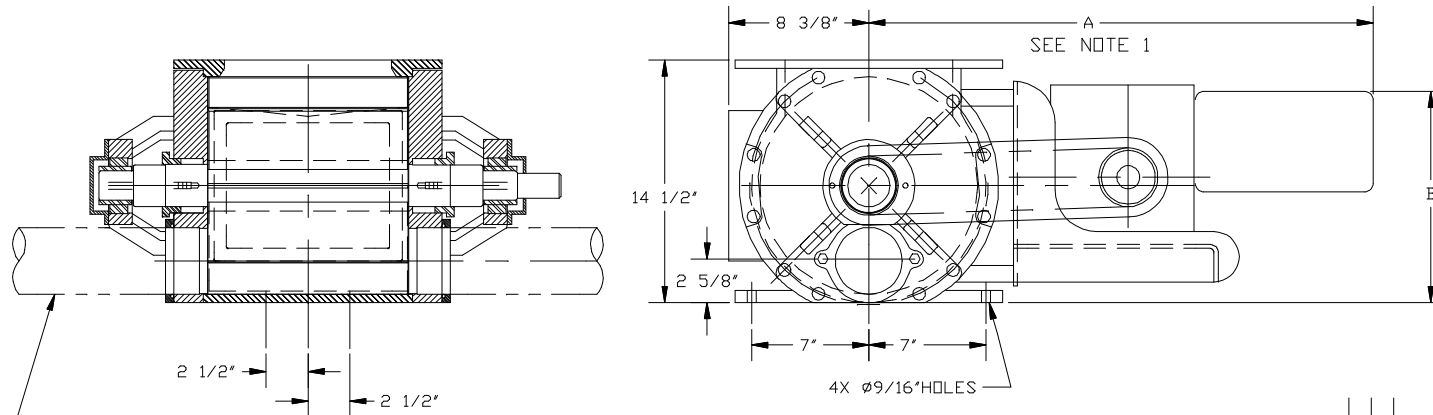
NOTES:

1. DIMENSION BASED ON STANDARD NORMAL EFFICIENCY MOTOR AND MAY BE LONGER FOR SPECIAL MOTORS
2. TUBE SUPPORT MUST BEAR A HORIZONTAL REACTION OF  $3 \times \text{PI} (\text{IN}^2) \times \text{LINE PRESSURE (PSI)}$  AND VERTICAL REACTION OF CONVEYING LINE WEIGHT AND MOMENT
3. ALL MOTORS 3/60/230-460, TEFC

CAPACITIES IN CUBIC FEET PER MINUTE								
ROTOR CFR	15RPM	20RPM	25RPM	30RPM	35RPM	40RPM	45RPM	50RPM
.80	12	16	20	24	28	32	36	40



MOTOR HP	FEEDER RPM	A DIM	B DIM
1/2 HP	15	29 3/8	14
3/4 HP	20, 25	29 3/8	14
1 HP	30, 35	30 1/4	14
1 1/2 HP	40, 45, 50	30 1/4	14



4"OD SEAMLESS TUBING AND SUPPORT BY CUSTOMER. SEE NOTE 2

REVISIONS			
A	10-19-04	UPDATED MODEL NAME	SA
WM. W. MEYER & SONS, INC. SKOKIE, ILLINOIS			
13 X 12 HDX SQUARE FLANGE BLOW THRU FEEDER WITH TYPICAL RECOMMENDED GEARMOTORS			
OUR S.O. NO.		REF. S.O. NO.	
DRAWN	GJL	DATE	10-29-99
APPROVED	JAE/MRD	SCALE	3/16
DRAWING NUMBER			430H-048