

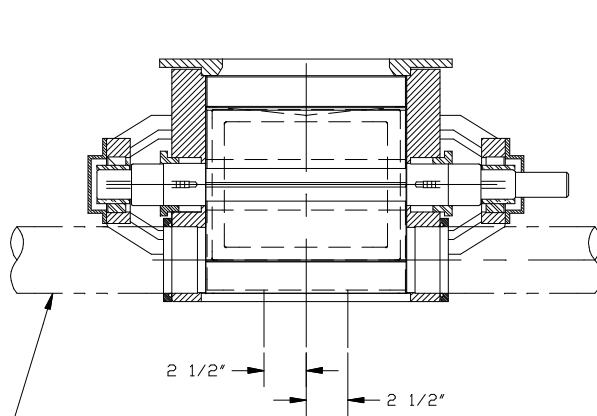
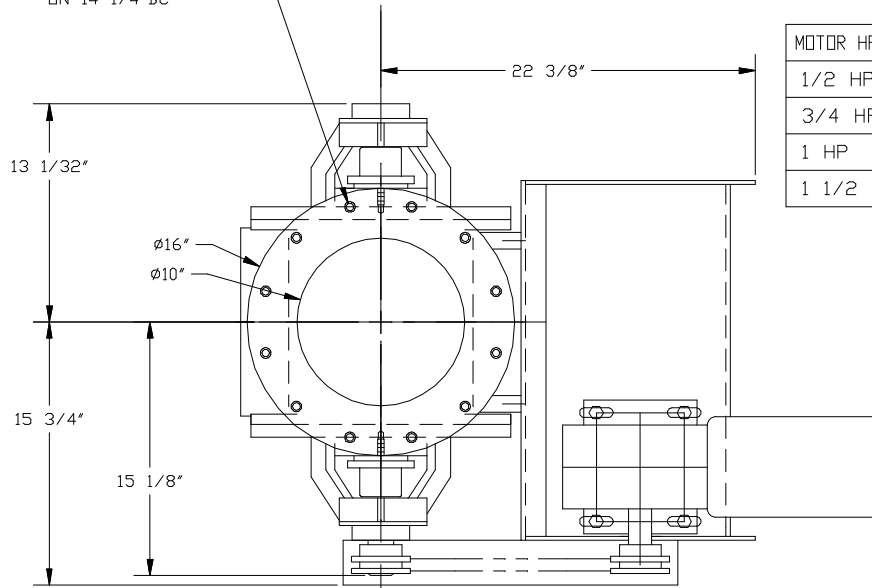
NOTES:

1. DIMENSION BASED ON STANDARD NORMAL EFFICIENCY MOTOR AND MAY BE LONGER FOR SPECIAL MOTORS
2. TUBE SUPPORT MUST BEAR A HORIZONTAL REACTION OF  $3 \times \text{PI} (\text{IN}^2) \times \text{LINE PRESSURE (PSI)}$  AND VERTICAL REACTION OF CONVEYING LINE WEIGHT AND MOMENT
3. ALL MOTORS 3/60/230-460, TEFC

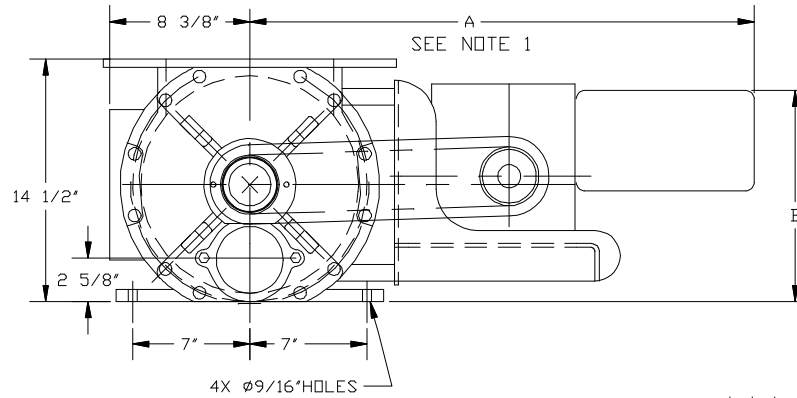
CAPACITIES IN CUBIC FEET PER MINUTE								
ROTOR CFR	15RPM	20RPM	25RPM	30RPM	35RPM	40RPM	45RPM	50RPM
.80	12	16	20	24	28	32	36	40

MOTOR HP	FEEDER RPM	A DIM	B DIM
1/2 HP	15	29 3/8"	14
3/4 HP	20, 25	29 3/8"	14
1 HP	30, 35	30 1/4"	14
1 1/2 HP	40, 45, 50	30 1/4"	14

12X 5/8-11X 1/2" DP  
UNC-2B TAP  
DN 14 1/4" BC



4" OD SEAMLESS TUBING AND SUPPORT BY CUSTOMER. SEE NOTE 2



A	10-19-04	UPDATED MODEL NAME	SA
REVISIONS			
WM. W. MEYER & SONS, INC.			
SKOKIE, ILLINOIS			
13 X 12 HDX ROUND FLANGE BLOW THRU FEEDER WITH TYPICAL RECOMMENDED GEARMOTORS			
OUR S.O. NO.		REF. S.O. NO.	
DRAWN	GJL	DATE	10-29-99
APPROVED	JAE/MRD	SCALE	3/16
			DRAWING NUMBER
			430H-047

M:\RAL\13X12HDXFEEDR.DWG