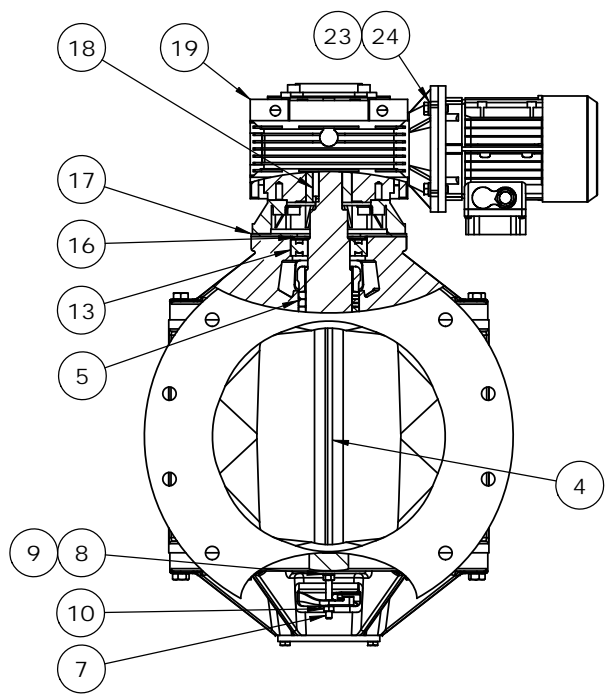
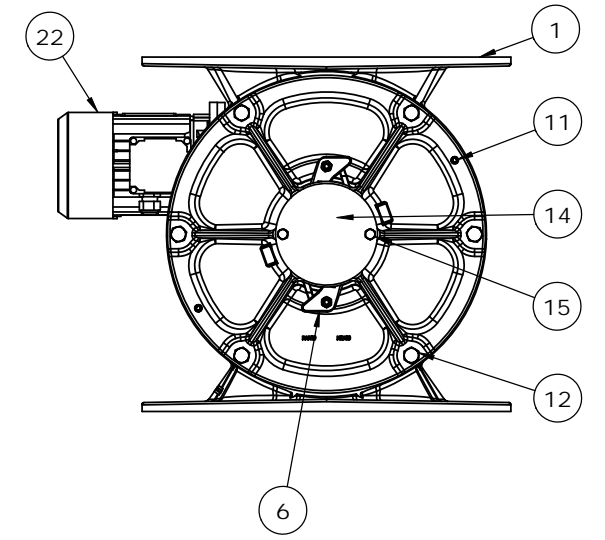
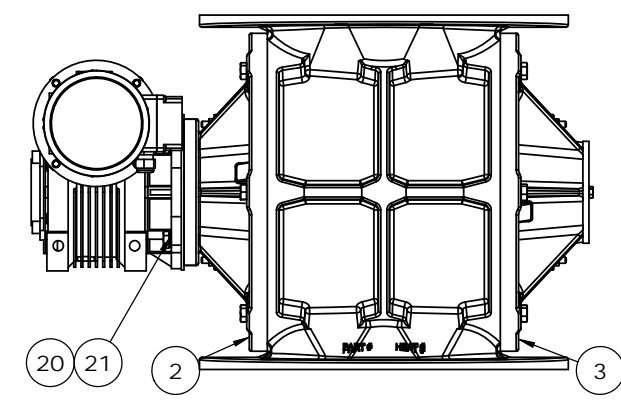
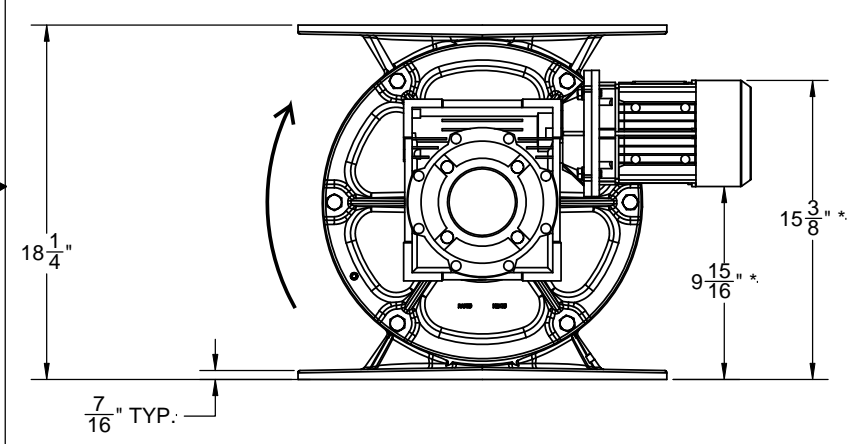


ITEM NO.	PartNo	Description	QTY.
1	440E-H02	12" UDV ROUND HOUSING, CI	1
2	440E-P01	12" UDV DRIVE HEADPLATE, CI	1
3	440E-P02	12" UDV BLIND HEADPLATE, CI	1
4	440E-R201	12" DDV ROTOR STL 8VOEBEV, CS	1
5	450BA189	PACKING RING, 3/8" SQ., 2 3/8" ID, ARAMID	6
6	440E-N01	12" UDV PACKING NUT, CS	4
7	450JC076	5/16-18 X 3" STUD ZP	4
8	FS	5/16" LOCK WASHER	4
9	FS	5/16-18 HEX NUT	4
10	450JH669	5/16-18 CENTERLOCK HEX LOCKNUT, ZP	4
11	450JH687	.375 X 1.25 ROLL PIN, ZP	4
12	FS	1/2-13 X 1 3/4" HEX HEAD CAP SCREW	12
13	450AA171	SEALED BALL BEARING	2
14	440E-C01A	12" UDV BLIND END BEARING CAP, CS	1
15	FS	5/16-18 X 1/2" HEX HEAD BOLT	2
16	450JO032	WAVE SPRING 4.000 OD X .100 WIRE 17-7SS	1
17	440E-C02	12 DDV BEARING RETAINER, CS	1
18	450JP030	.312" x .312" x 4"L, KEYSTOCK, AISI C1018, STEEL	1
19	450GB668	GEARBOX, NMRV090 80:1 1 3/8" BORE	1
20	FS	1/2-13 X 1.5" HEX HEAD BOLT	4
21	450JH554	1/2" X 3/4" NORD LOCK WASHER	4
22	450H-1838	1.5 HP 1800 RPM TEFC MOTOR 56C 208-230/460/3	1
23	FS	3/8-16 X 1" HEX HEAD BOLT	4
24	FS	3/8" LOCK WASHER	4



NOTE:
 1) DESIGN BASED ON 70 DEG. F. OPERATING TEMPERATURE.
 2) PAINT STANDARD BLACK ENAMEL.
 3) * MOTOR DIMENSIONS BASED ON STANDARD MOTOR.

REVISIONS				
REV.	DESCRIPTION	DATE	DB	AP
A	PRODUCTION RELEASE.	11/17/2010	GS	

OUR S.O. #	NAME	DATE	Wm. W. Meyer & Sons Inc. LIBERTYVILLE, IL.
REF S.O. #	DRAWN BY: GS	8-10-10	
REF DWG.	CHECKED BY:		
	ENG APRV.: TM	8-10-10	

PROPRIETARY AND CONFIDENTIAL THE INFORMATION CONTAINED IN THIS DRAWING IS THE SOLE PROPERTY OF Wm. W. Meyer & Sons, Inc. ANY REPRODUCTION IN PART OR AS A WHOLE WITHOUT THE WRITTEN PERMISSION OF Wm. W. Meyer & Sons, Inc. IS PROHIBITED.		TITLE: 12" ROUND DDV ROTARY VALVE CAST IRON 8 VANE OPEN END BEVELED ROTOR 1 HP, 22 RPM
DWG. NO.	440E-0104	REV A
PART WEIGHT: 375.06 LBS	SCALE: 5:32	SHEET: 1 OF 1 C