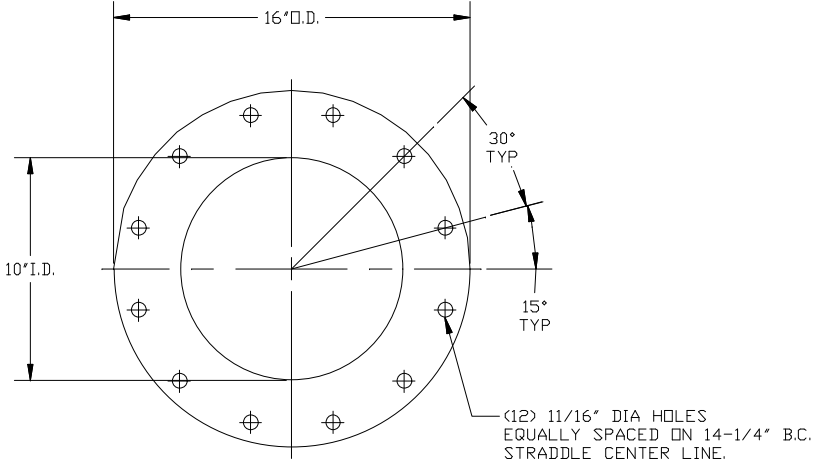


ROTOR	C.F.R	CAPACITIES IN CUBIC FEET PER MINUTE						
		5 RPM	10 RPM	15 RPM	20 RPM	25 RPM	30 RPM	35 RPM
6 VANE	0.386	1.930	3.860	5.790	7.720	9.650	11.580	13.510
8 VANE	0.369	1.845	3.690	5.535	7.380	9.225	11.070	12.915

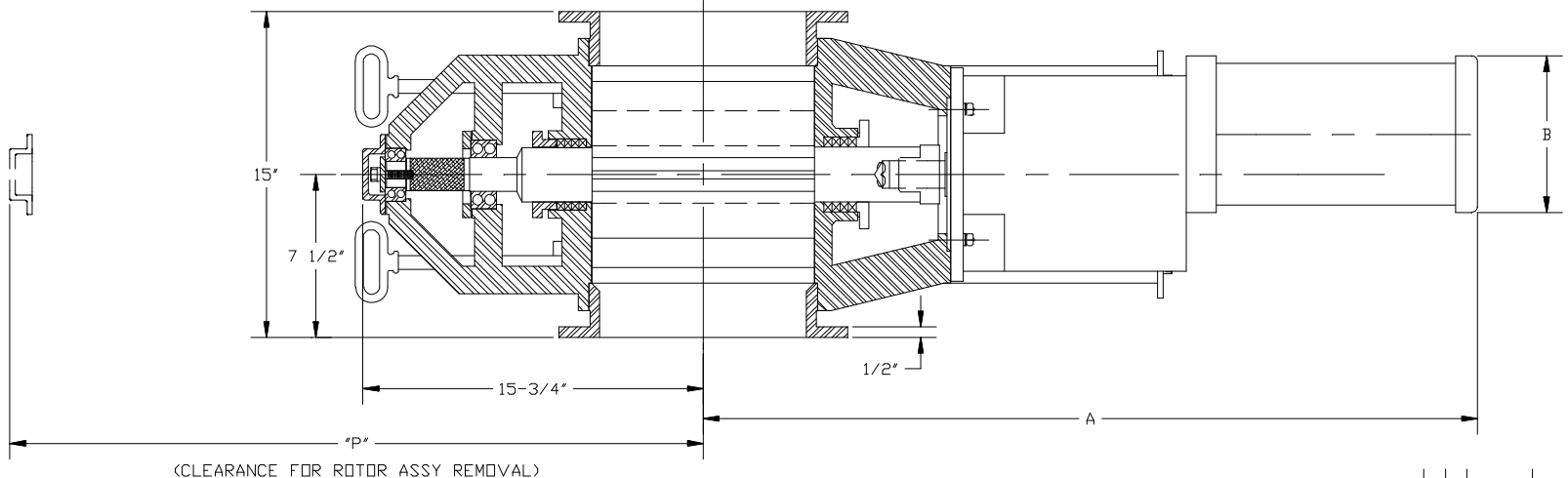


Ⓐ

MOTOR HP	FEEDER RPM	MOTOR HP/RPM	
		A	B
1/3 HP	7, 8, 10	35-7/8"	7.19
1/2 HP	11, 12, 15	35-7/8"	7.19
3/4 HP	17, 19, 22	35-7/8"	7.19
1 HP	27, 30, 32, 36	32-13/16"	7.19

NOTES :

- 1) ALL MOTORS: 3-60-230/460, TEFC, INTEGRAL WITH REDUCER.
- 2) INFORMATION IS BASED UPON CATALOG DATA, THIS INFORMATION MUST BE USED IN CONJUNCTION WITH, AND NOT IN SUBSTITUTION FOR, THE APPLICABLE PRODUCT CATALOG WHICH CONTAINS IMPORTANT PRECAUTIONS AND OTHER PERTINENT INFORMATION.
- 3) DIMENSION A & B WILL VARY WITH SPECIAL OPTION MOTORS SUCH AS EXPLOSION PROOF, VARIABLE SPEED, AND NEMA "C" FACE.



A	2-19-98	UPDATE MOTOR CHART & SIDE VIEW REVISIONS	G.J.L.
WM. W. MEYER & SONS, INC. SKOKIE, ILLINOIS			
10X10 KLEAN IN PLACE ROUND FLANGE FEEDER WITH TYPICAL RECOMMENDED GEARMOTOR			
OUR S.O. NO.		REF. S.O. NO.	
DRAWN J.M.	DATE 7-23-96	DRAWING NUMBER	
APPROVED MRD	SCALE	430D-1712	

M:\RAL\10X10KIPREDR.DWG