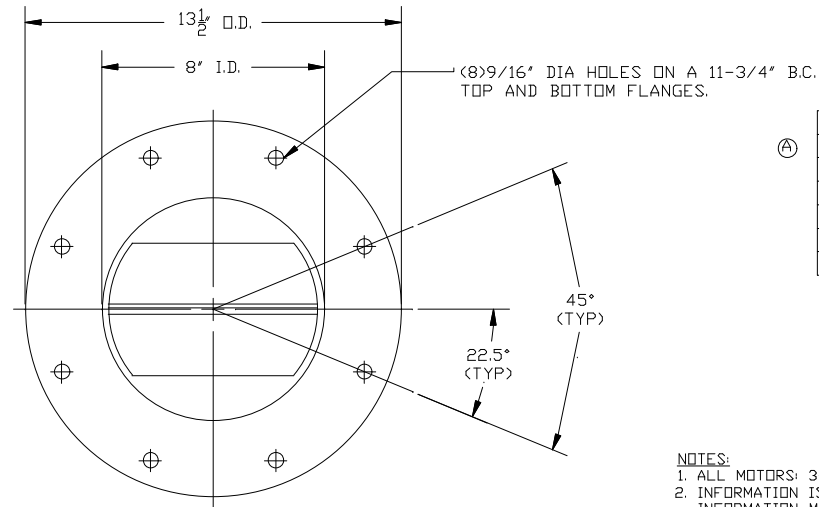


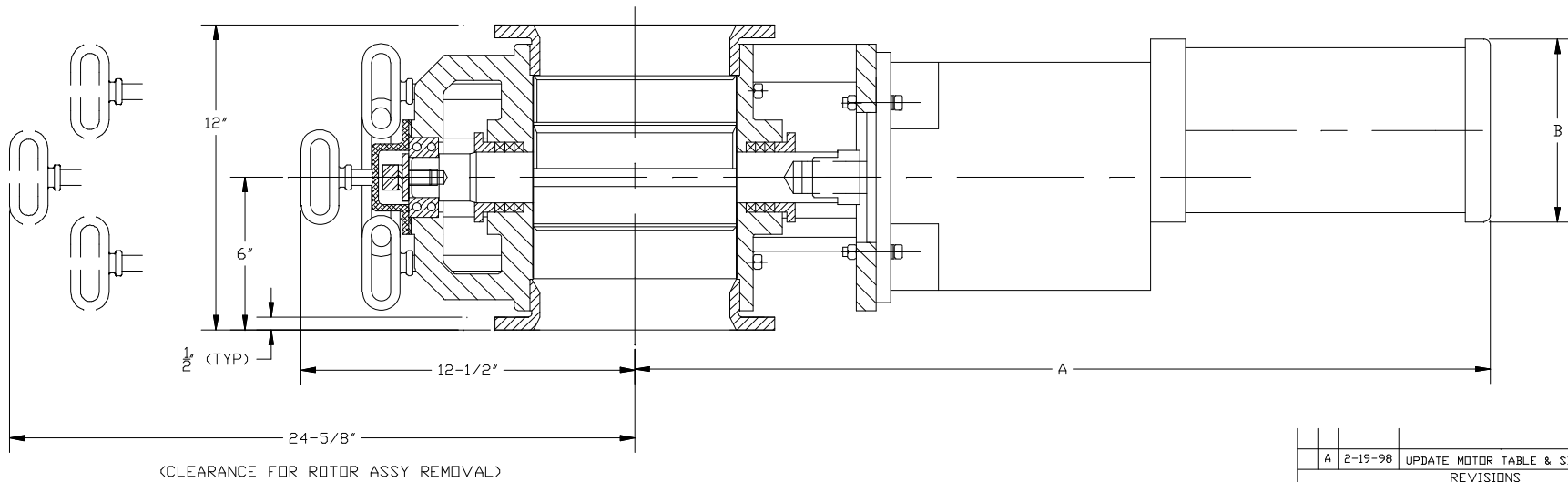
ROTOR	CFR	CAPACITIES IN CUBIC FEET PER MINUTE						
		5 RPM	10 RPM	15 RPM	20 RPM	25 RPM	30 RPM	35 RPM
6 VANE	0.186	.930	1.860	2.790	3.720	4.650	5.580	6.510
8 VANE	0.176	.880	1.760	2.640	3.520	4.400	5.280	6.160



(A)

MOTOR HP/RPM			
MOTOR HP	FEEDER RPM	A	B
1/4 HP	6, 7, 8, 9	33-3/4"	7.19"
1/3 HP	11, 12	33-3/4"	7.19"
1/2 HP	15, 17, 19, 22	33-3/4"	7.19"
3/4 HP	27, 30	30-5/8"	7.19"
1 HP	32, 36	30-5/8"	7.19"

- NOTES:
1. ALL MOTORS: 3-60-230/460, TEFC, INTEGRAL WITH REDUCER
 2. INFORMATION IS BASED UPON CATALOG DATA. THIS INFORMATION MUST BE USED IN CONJUNCTION WITH, AND NOT IN SUBSTITUTION FOR, THE APPLICABLE PRODUCT CATALOG WHICH CONTAINS IMPORTANT PRECAUTIONS AND OTHER PERTINENT INFORMATION.
 3. DIMENSIONS A & B WILL VARY WITH SPECIAL OPTION MOTOR SUCH AS EXPLOSION PROOF, VARIABLE SPEED AND NEMA "C" FACE.



A	2-19-98	UPDATE MOTOR TABLE & SIDE VIEW	GJL
REVISIONS			
WM. W. MEYER & SONS, INC. SKOKIE, ILLINOIS			
8X8 KWIK KLEAN ROUND FLANGE FEEDER WITH TYPICAL RECOMMENDED GEARMOTOR			
OUR S.D. NO.		REF. S.D. NO.	
DRAWN	J.M.	DATE	7-16-96
APPROVED	MRD	SCALE	
			DRAWING NUMBER 430C-1658

M:\RAL\08X08KKR\FDR.DWG