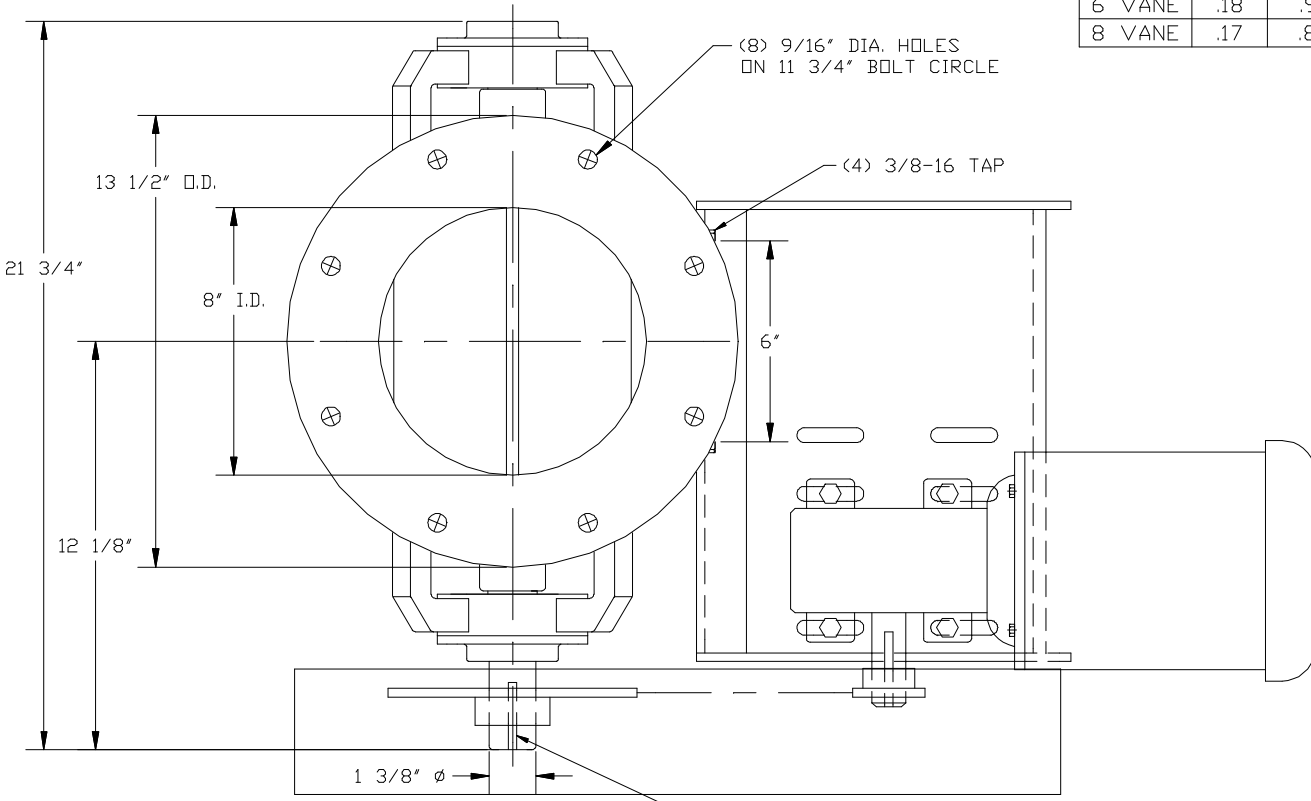


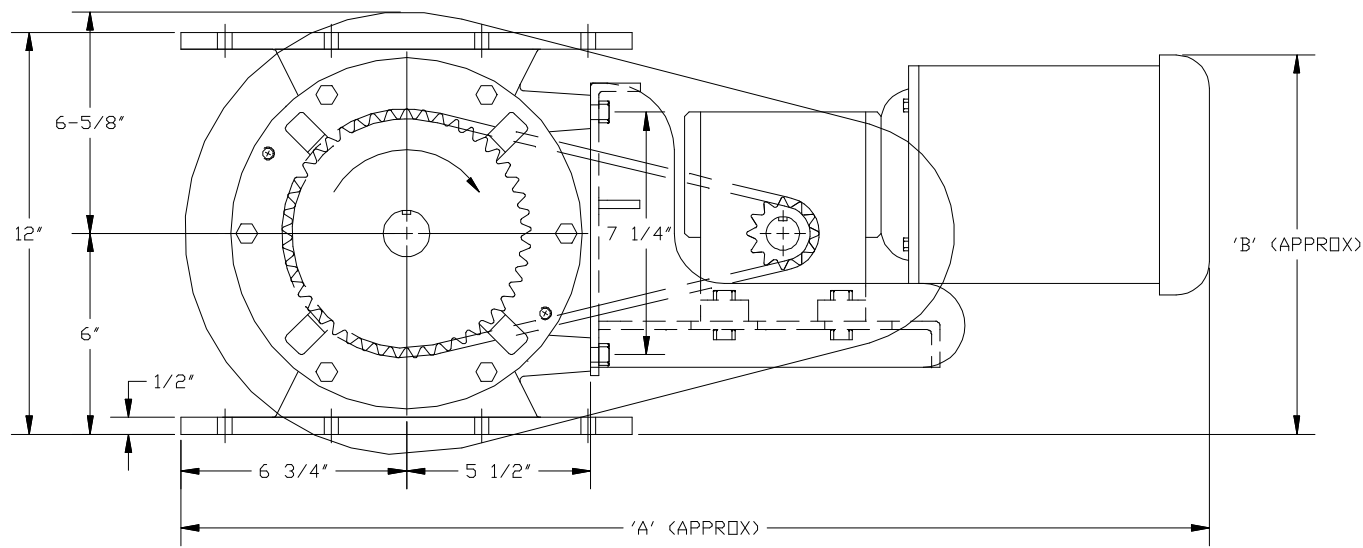
ROTOR	CFR	CAPACITIES IN CUBIC FEET PER MINUTE						
		5 RPM	10 RPM	15 RPM	20 RPM	25 RPM	30 RPM	35 RPM
6 VANE	.18	.90	1.80	2.70	3.60	4.50	5.40	6.30
8 VANE	.17	.85	1.70	2.55	3.40	4.25	5.10	5.95



DATA FOR NORMAL SERVICE APPLICATIONS			
MOTOR HP	FEEDER RPM	A	B
1/3 TENV	7 THRU 9	29 1/2	10 3/4
1/2 TEFC	10 THRU 14	31 1/2	11 7/8
3/4 TEFC	15 THRU 22	31 1/2	11 7/8
1 TEFC	23 THRU 35	31 1/2	11 7/8
1 1/2 TEFC	36 THRU 47	32 7/8	13 1/8

DATA FOR SEVERE SERVICE APPLICATIONS			
MOTOR HP	FEEDER RPM	A	B
1/2 TEFC	7 THRU 9	32 7/8	13 1/8
3/4 TEFC	10 THRU 14	32 7/8	13 1/8
1 TEFC	15 THRU 22	32 7/8	13 1/8
1 1/2 TEFC	23 THRU 35	32 7/8	13 1/8
2 TEFC	36 THRU 47	32 7/8	13 3/8

NOTES:
 1. ALL MOTORS: 3-60-230/460
 2. INFORMATION IS BASED UPON CATALOG DATA. THIS INFORMATION MUST BE USED IN CONJUNCTION WITH, AND NOT IN SUBSTITUTION FOR, THE APPLICABLE PRODUCT CATALOG WHICH CONTAINS IMPORTANT PRECAUTIONS AND OTHER PERTINENT INFORMATION.



REV	DATE	DESCRIPTION	BY
C	10-19-04	UPDATED MODEL NAME	SA
B	10-29-96	STD GUARD SHOWN, 6-5/8" DIM ADDED.	J.M.
A	10-9-92	REDRAWN ON CAD	TD

REVISIONS
 WM. W. MEYER & SONS, INC.
 SKOKIE, ILLINOIS
 8 X 8 HDX ROUND FLANGE FEEDER ASSEMBLY WITH TYPICAL RECOMMENDED GEARMOTORS
 OUR S.D. NO. REF. S.D. NO.
 DRAWN TD DATE 10-24-88 DRAWING NUMBER
 APPROVED SCALE 3/8 430C-936

M:\RAL08X08HDXRFD.R.DWG